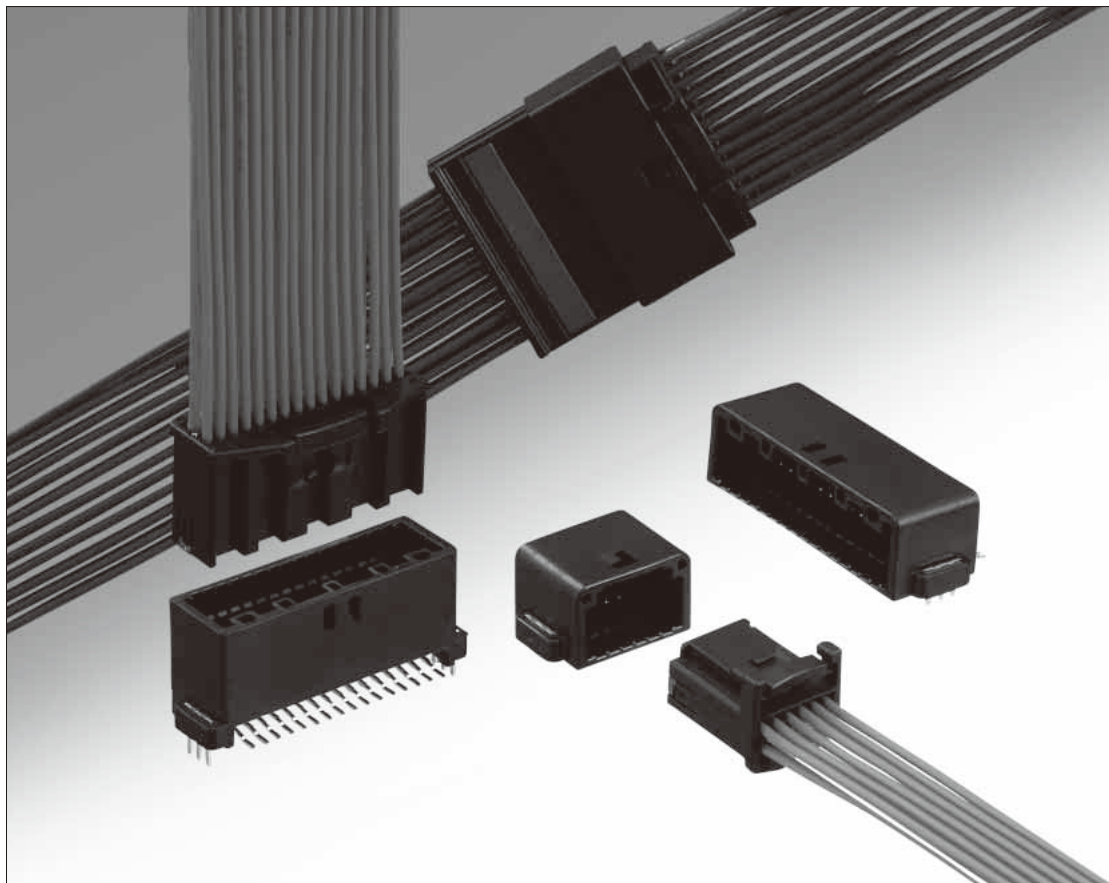


GT25 Series

— SMT Multi-contact Connectors —



■ Features

- Metal holdowns to solder by reflow are used instead of screws for PCB mounting.
- The width of tab is 025 size.

■ Product Specifications

| Rated Current | Insulation Resistance | Withstanding Voltage | Contact Resistance | Operating Temperature Range |
|---------------|-----------------------|-----------------------|-------------------------------|-----------------------------|
| 3A (Note 1) | 100MΩ min | AC650V for one minute | No more than 30mΩ (initially) | -40°C to +105°C (Note 2) |

Note 1 : When using different conditions, please consult with Hirose.

Note 2 : Includes temperature rise caused by current flow.

Interface Connector
Copyright 2018 HIROSE ELECTRIC CO., LTD. All Rights Reserved.

GT5

GT13

GT16

PO5G

GT19

GT21

GT26

GT36

GT11

GT17

GT32

GT3

GT7

GT10

GT18W

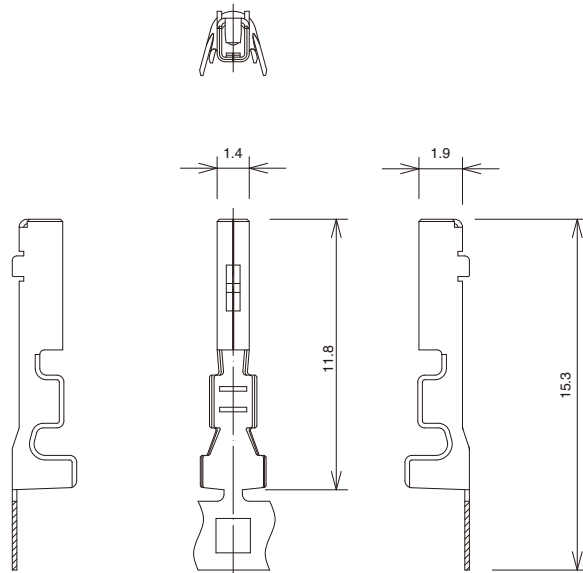
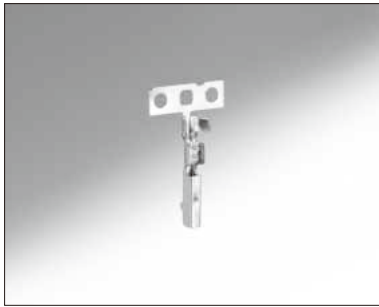
GT25

GT8E

GT9

GT15

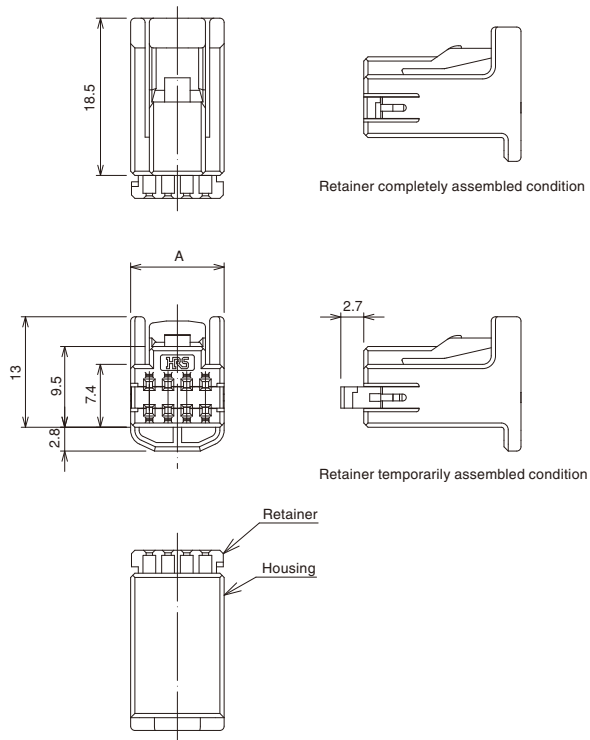
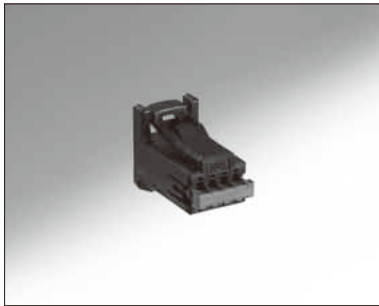
F Terminal



| Part No. | HRS No. | Material | Plating | Conductor Size (AWG) | Outer Diameter | Packaging | RoHS |
|----------------|------------|---------------|-------------|----------------------|-------------------|-----------------|------|
| GT25H-2024SCF | 775-0039-6 | Copper palloy | Tin plating | 20 to 22 AWG | ϕ 1.0 to 1.7 | 10,000 pcs/reel | YES |
| GT25HB-2428SCF | 775-0070-6 | | | 24 to 28 AWG | ϕ 0.5 to 1.0 | | |

F Connector

● Housing (Pre-assembled retainer)



| Part No. | HRS No. | Color | Material | No. of Contacts | A Dimension | Packaging | RoHS |
|----------------|------------|---|---------------------------------|-----------------|-------------|-----------|------|
| GT25-8DS-HU/R | 775-0059-3 | Housing : Black Retainer : Dark Gray | Housing : PPE Retainer : PBT | 8 | 11 | 1 | YES |
| GT25-12DS-HU/R | 775-0062-8 | | PBT | 12 | 15.4 | | |
| GT25-24DS-HU/R | 775-0046-1 | | Housing : PPE Retainer : PBT | 24 | 28.6 | | |
| GT25-32DS-HU/R | 775-0044-6 | | PBT | 32 | 37.4 | | |

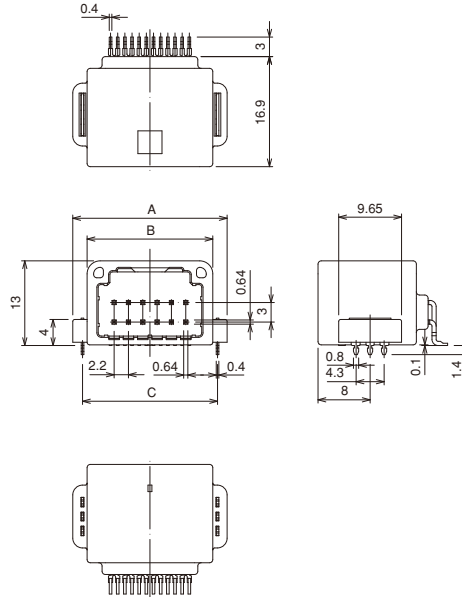
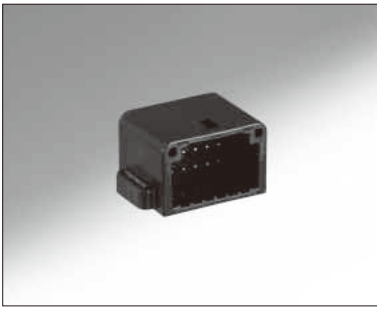
Note 1 : Pre-assembled retainer into housing body

Note 2 : After insert assembled contact, retainer has to be pushed-in correct position

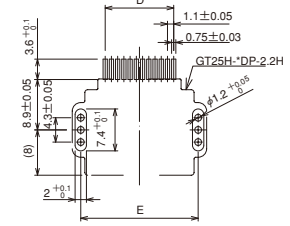
Note 3 : Available to purchase housing and retainer separately for repair.

- GT5
- GT13
- GT16
- PO5G
- GT19
- GT21
- GT26
- GT36
- GT11
- GT17
- GT32
- GT3
- GT7
- GT10
- GT18W
- GT25
- GT8E
- GT9
- GT15

Improved prying force

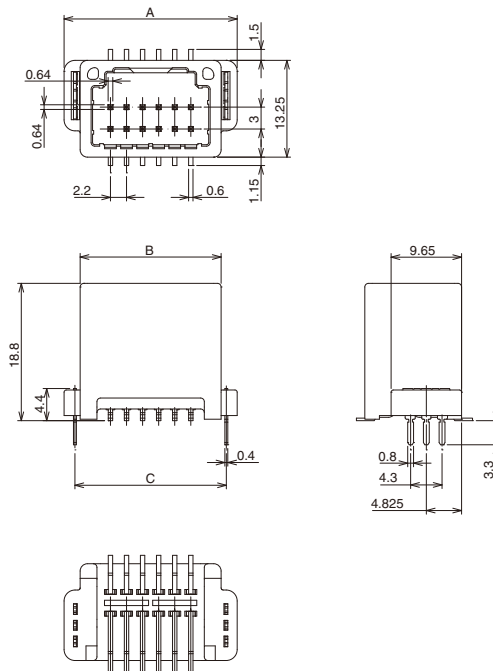
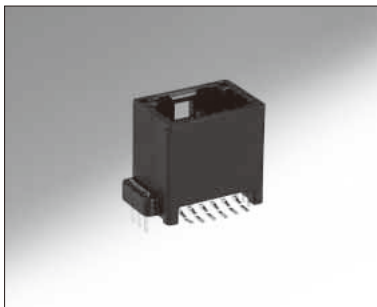


◆Recommended PCB pattern

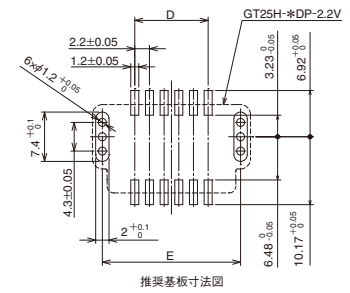


| Part No. | HRS No. | Color | Material/Plating | No. of Contacts | A Dimension | B Dimension | C Dimension | D Dimension | E Dimension | Packaging | RoHS |
|-----------------|---------------------|-------|------------------------------|-----------------|-------------|-------------|-------------|-------------|-------------|--------------|------|
| GT25H-12DP-2.2H | 775-0038-3 | Black | PPS Brass/ Tin plating | 12 | 23.7 | 19.3 | 20.73 | 12.1±0.05 | 20.73±0.05 | 200 pcs/reel | YES |
| GT25H-20DP-2.2H | (Under development) | | | 20 | 32.5 | 28.1 | 29.53 | 20.9±0.05 | 29.53±0.05 | | |
| GT25H-24DP-2.2H | 775-0045-9 | | | 24 | 36.9 | 32.5 | 33.93 | 25.3±0.05 | 33.93±0.05 | | |
| GT25H-32DP-2.2H | (Under development) | | | 32 | 45.7 | 41.3 | 42.73 | 34.1±0.05 | 42.73±0.05 | | |

Improved prying force



◆Recommended PCB pattern



| Part No. | HRS No. | Color | Material/Plating | No. of Contacts | A Dimension | B Dimension | C Dimension | D Dimension | E Dimension | Packaging | RoHS |
|-----------------|---------------------|-------|------------------------------|-----------------|-------------|-------------|-------------|-------------|-------------|-----------|------|
| GT25H-12DP-2.2V | 775-0050-9 | Black | PPS Brass/ Tin plating | 12 | 23.7 | 19.3 | 20.73 | 11±0.05 | 20.73±0.05 | 1 | YES |
| GT25H-24DP-2.2V | (Under development) | | | 24 | 36.9 | 32.5 | 33.93 | 24.2±0.05 | 33.93±0.05 | | |
| GT25H-32DP-2.2V | 775-0053-7 | | | 32 | 45.7 | 41.3 | 42.73 | 33±0.05 | 42.73±0.05 | | |

GT5

GT13

GT16

PO5G

GT19

GT21

GT26

GT36

GT11

GT17

GT32

GT3

GT7

GT10

GT18W

GT25

GT8E

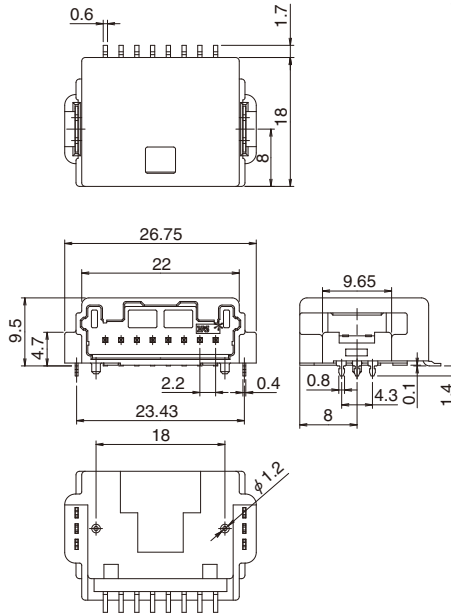
GT9

GT15

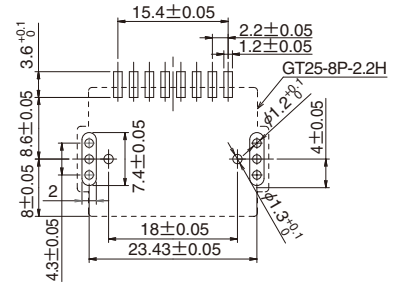
M connector (PCB type)

Right-angle Type

● 8 positions, 1 row

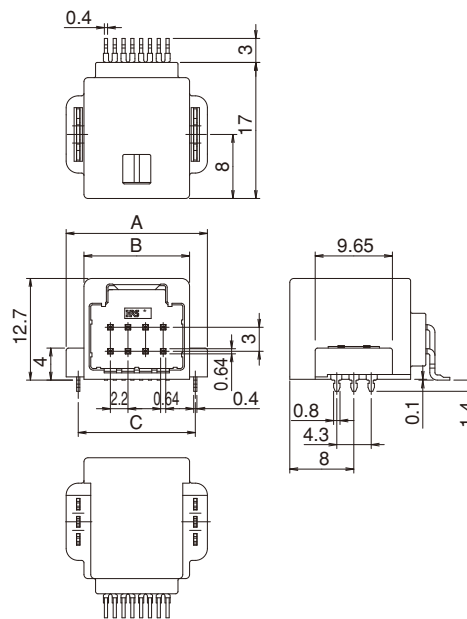


Recommended PCB Pattern

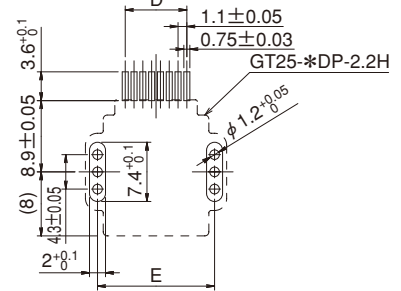


| Part No. | HRS No. | Color | Material/Plating | Packaging | RoHS |
|------------------|---------------|------------|------------------------------|-------------|------|
| GT25-8P-2.2H(70) | 775-0001-3 70 | Light Gray | PPS Brass/ Tin plating | 200pcs/reel | YES |

● 2 rows



Recommended PCB Pattern



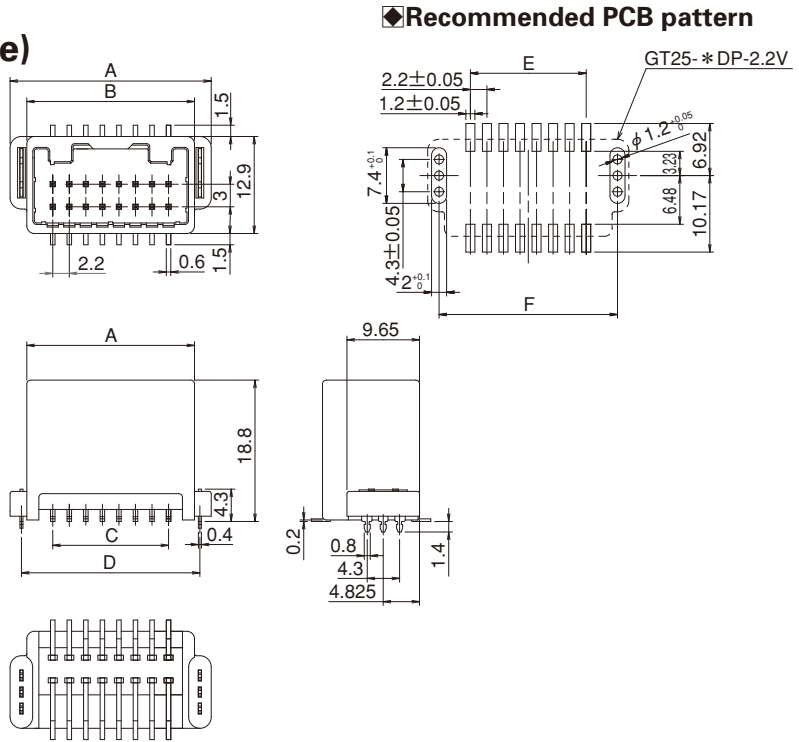
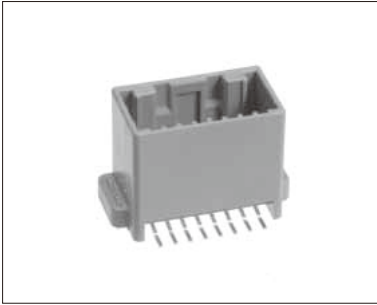
| Part No. | HRS No. | Color | Material/Plating | No. of Contacts | A imension | B imension | C imension | D imension | E imension | Packaging | RoHS |
|--------------------|---------------|------------|------------------------------|-----------------|------------|------------|------------|------------|------------|------------------------------|------|
| GT25-8DP-2.2H | 775-0004-1 | Light Gray | PPS Brass/ Tin plating | 8 | 17.65 | 13.2 | 14.63 | 7.7±0.05 | 14.63±0.05 | 200 pcs/reel or 1/tray | YES |
| GT25-12DP-2.2H | 775-0005-4 | | | 12 | 22.05 | 17.6 | 19.03 | 12.1±0.05 | 19.03±0.05 | | |
| GT25-16DP-2.2H | 775-0006-7 | | | 16 | 26.45 | 22.0 | 23.43 | 16.5±0.05 | 23.43±0.05 | | |
| GT25-24DP-2.2H | 775-0007-0 | | | 24 | 35.25 | 30.8 | 32.23 | 25.3±0.05 | 32.23±0.05 | | |
| GT25-28DP-2.2H(01) | 775-0040-5 01 | | | 28 | 39.65 | 35.2 | 36.63 | 29.7±0.05 | 36.63±0.05 | | |
| GT25-32DP-2.2H | 775-0008-2 | | | 32 | 44.05 | 39.6 | 41.03 | 34.1±0.05 | 41.03±0.05 | | |
| GT25-40DP-2.2H | 775-0003-9 | | | 40 | 52.85 | 48.4 | 49.83 | 42.9±0.05 | 49.83±0.05 | | |

Note : (01) is tray package.

M connector (PCB type)

Straight Type

● 2 rows

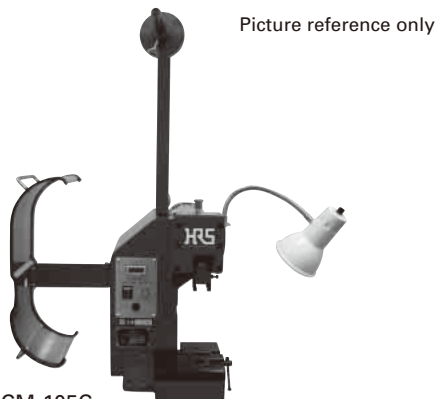


| Part No. | HRS No. | Color | Material/ Plating | No. of Contacts | A Dimension | B Dimension | C Dimension | D Dimension | E Dimension | F Dimension | Packaging | RoHS |
|--------------------|---------------|---------------|------------------------------|--------------------|----------------|----------------|----------------|----------------|----------------|----------------|-----------|------|
| GT25-16DP-2.2V(01) | 775-0020-8 01 | Light Gray | PPS Brass/ Tin plating | 16 | 26.75 | 22.3 | 15.4 | 23.73 | 15.4±0.05 | 23.73±0.05 | 1/tray | YES |
| GT25-24DP-2.2V(01) | 775-0021-0 01 | | | 24 | 35.55 | 31.1 | 24.2 | 32.53 | 24.2±0.05 | 32.53±0.05 | | |
| GT25-32DP-2.2V(01) | 775-0022-3 01 | | | 32 | 44.35 | 39.9 | 33.0 | 41.33 | 33±0.05 | 41.33±0.05 | | |
| GT25-40DP-2.2V(01) | 775-0014-5 01 | | | 40 | 53.15 | 48.7 | 41.8 | 50.13 | 41.8±0.05 | 50.13±0.05 | | |

◆ Crimping tools

User manuals are available. Please contact your Hirose Electric account representative.

● Automatic Crimping Machine



Part No. CM-105C

Specifications

| Item | Specification | Remarks |
|-------------------|-------------------------|---------------|
| Press capacity | 1.5tons | — |
| Stroke Length | 30mm | — |
| Number of strokes | 200spm (50Hz) | 240spm (60Hz) |
| Weight | 75kg | — |
| Motor | 0.2kw | AC100V |
| Crimping speed | 2,000 to 4,000 pcs/hour | — |

| Terminal Product No. | Terminal HRS No. | Tool Part No. | Tool HRS No. |
|----------------------|------------------|--------------------|--------------|
| GT25H-2024SCF | 775-0039-6 | AP105-GT25H-2024S | 901-5206-3 |
| GT25HB-2428SCF | 775-0070-6 | AP105-GT25HB-2428S | 901-5230-8 |

Note : Crimp height setting tables are available for each cable type. Please contact your nearest Hirose Electric account representative.
Different cables will require different crimp height settings.

● Hand tooling



| HRS No. | Part No. | Applicable wire |
|---------------|-------------------|-----------------|
| 780-0044-1 00 | HT304/GT25H-2024S | GT25H-2024SCF |

Note : HT304/GT25H-2024S is rated for 0.3SQ (22 AWG) or 0.5SQ (20 AWG) cable only.
HT304/GT25H-2024S can not terminate 0.2SQ (24 AWG) cable.