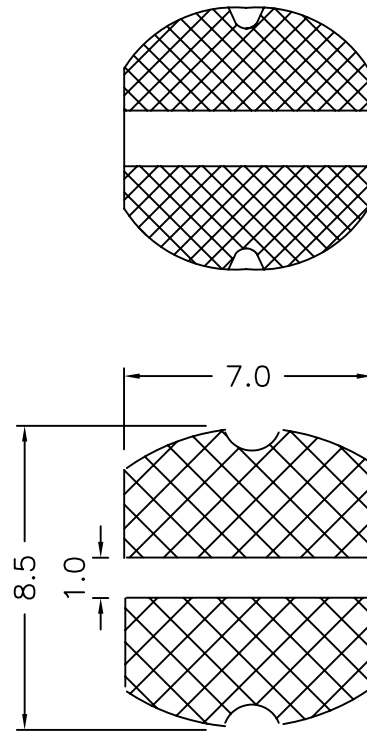
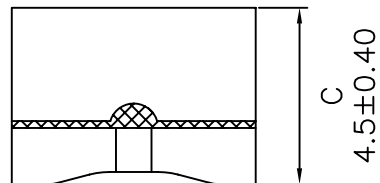
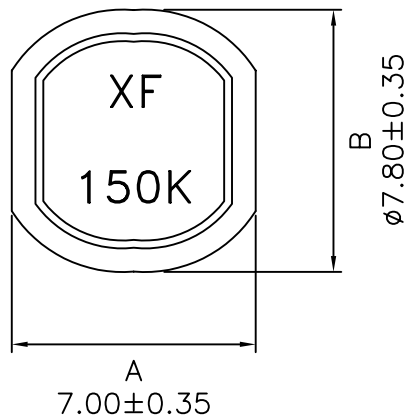
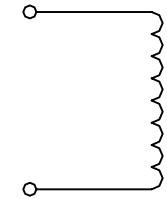


## 1. Mechanical Dimensions:



PAD LAYOUT

## 2. Schematic:



## 3. Electrical Specifications:

OCL:  $15\mu\text{H} \pm 10\%$  @1KHz 1.0V

DCR: 0.096 Ohms Max

IDC: 1.39A dc Max

### Notes:

1. Solderability: Leads shall meet MIL-STD-202, Method 208D for solderability.
2. Flammability: UL94V-0
3. ASTM oxygen index:  $> 28\%$
4. Insulation System: Class F 155°C. UL file E151556
5. Operating Temperature Range: All listed parameters are to be within tolerance from  $-40^\circ\text{C}$  to  $+85^\circ\text{C}$
6. Storage Temperature Range:  $-55^\circ\text{C}$  to  $+125^\circ\text{C}$
7. Aqueous wash compatible

DOC REV: A/2

XFMR5 Inc	Title: XFSDR74SH SERIES INDUCTORS		
	UNLESS OTHERWISE SPECIFIED	P/N: XFSDR74SH-150K	REV. A
TOLERANCES: .xx $\pm 0.25$	DWN.	Juan Mao	Apr-06-04
Dimensions in MM	CHK.	YK Liao	Apr-06-04
SHT 1 OF 1	APP.	Isaiah M	Apr-06-04

**PROPRIETARY**

Document is the property of XFMR5 Group & is not allowed to be duplicated without authorization.