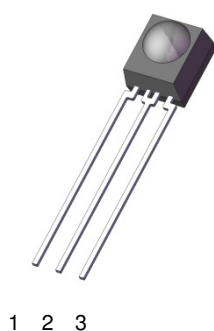


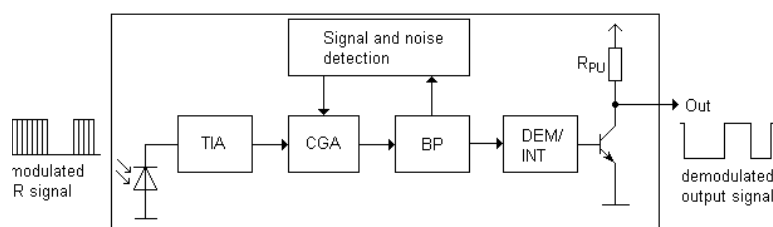
Infrared Remote Control Receiver Module EAIRMAA1



Pin Configuration

1. OUT
2. GND
3. V_{CC}

Block Diagram



Features

- High protection ability against EMI.
- Circular lens to improve the receive characteristic.
- Line-up for various center carrier frequencies.
- Low voltage and low power consumption.
- High immunity against ambient light.
- Photodiode with integrated circuit.
- TTL and CMOS compatibility.
- Long reception distance.
- High sensitivity.
- Pb free and RoHS compliant.

Description

The EAIRMAA1 device is miniature type infrared remote control system receiver which has been developed and designed by utilizing the most updated IC technology.

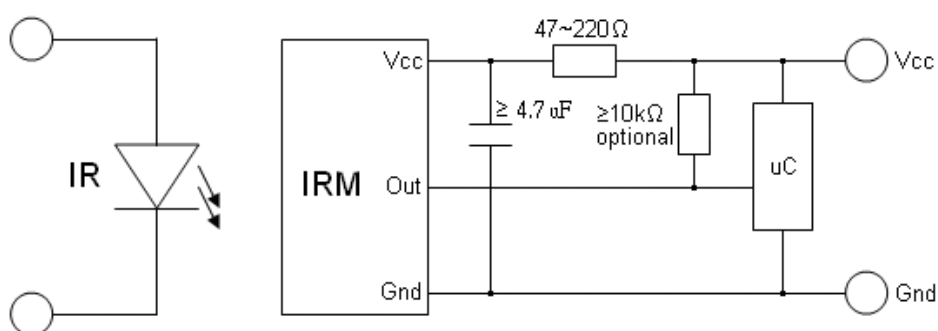
The PIN diode and preamplifier are assembled on lead frame, the epoxy package is designed as an IR filter.

The demodulated output signal can directly be decoded by a microprocessor.

Applications

- Light detecting portion of remote control
- AV instruments such as Audio, TV, VCR, CD, MD, etc.
- Home appliances such as Air-conditioner, Fan, etc.
- The other equipments with wireless remote control.
- CATV set top boxes
- Multi-media Equipment

Application Circuit



RC Filter should be connected closely between Vcc pin and GND pin.

Parts Table

Model No.	Carrier Frequency
EAIRMAA1	38 kHz

Absolute Maximum Ratings (T_a=25 °C)

Parameter	Symbol	Rating	Unit
Supply Voltage	V _{cc}	6	V
Operating Temperature	T _{opr}	-20 ~ +80	°C
Storage Temperature	T _{stg}	-40 ~ +85	°C
Soldering Temperature ^{*1}	T _{sol}	260	°C

*1. 4mm from mold body less than 5 seconds

Electro-Optical Characteristics (T_a=25°C and V_{cc}=3.0V)

Parameter	Symbol	MIN.	TYP.	MAX.	Unit	Condition
Consumption Current	I _{cc}	--	0.4	0.6	mA	No signal input
Supply Voltage	V _{cc}	2.7	--	5.5	V	
Peak Wavelength	λ _p	--	940	--	nm	
Reception Distance	L ₀	14	--	--	m	At the ray axis *2
	L ₄₅	6	--	--	m	
Half Angle(Horizontal)	θ _h	--	45	--	deg	
Half Angle(Vertical)	θ _v	--	45	--	deg	
High Level Pulse Width	T _H	400	--	800	μs	At the ray axis *3
Low Level Pulse Width	T _L	400	--	800	μs	
High Level Output Voltage	V _H	V _{cc} -0.4	---	---	V	I _{SOURCE} ≤ 1μA
Low Level Output Voltage	V _L	---	0.2	0.5	V	I _{SINK} ≤ 2mA

*2. The ray receiving surface at a vertex and relation to the ray axis in the range of θ=0° and θ=45°.

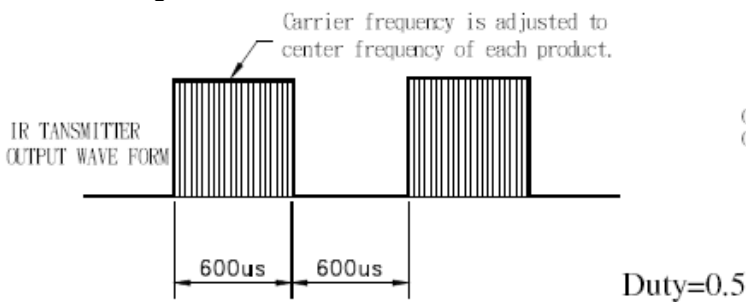
*3. A range from 30cm to the arrival distance. Average value of 50 pulses.

Test Method

The specified electro-optical characteristics is satisfied under the following Conditions at the controllable distance.

1. Measurement place
 A place that is nothing of extreme light reflected in the room.
2. External light
 Project the light of ordinary white fluorescent lamps which are not high Frequency lamps and must be less then 10 Lux at the module surface.
 ($E_e \leq 10\text{Lux}$)
3. Standard transmitter
 A transmitter whose output is so adjusted as to **$V_o=400\text{mVp-p}$** and the output Wave form shown in Fig.-1. According to the measurement method shown in Fig.-2 the standard transmitter is specified. However, the infrared photodiode to be used for the transmitter should be $\lambda_p=940\text{nm}, \Delta\lambda=50\text{nm}$. Also, photodiode is used of PD438B ($V_r=5\text{V}$). (Standard light / Light source temperature 2856 °K).
4. Measuring system According to the measuring system shown in Fig.-3

Fig.-1 Transmitter Wave Form



D.U.T output Pulse

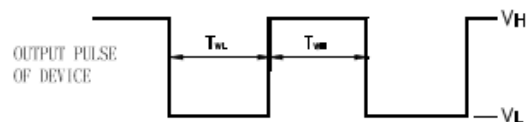


Fig.-2 Measuring Method

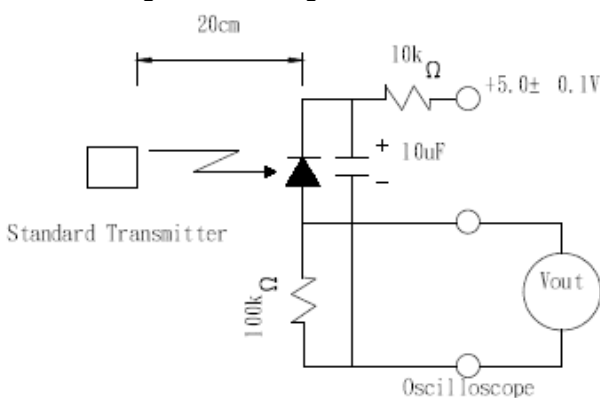
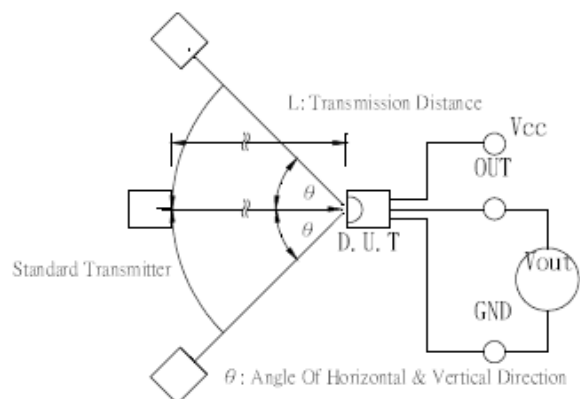


Fig.-3 Measuring System



Typical Performance Curves

Fig.4 Relative Responsibility vs. Wavelength

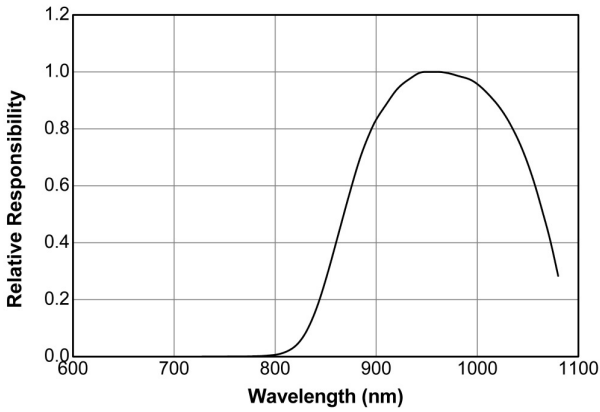


Fig.-5 Relative Sensitivity vs. Angle

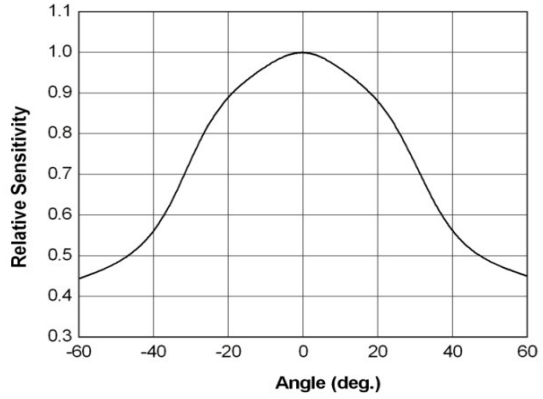


Fig.-6 Output Pulse Width vs. Transmission Distance

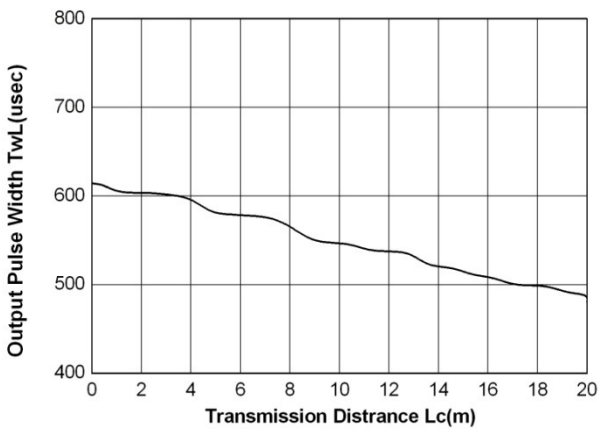


Fig.-7 Relative Transmission Distance vs. Supply Voltage

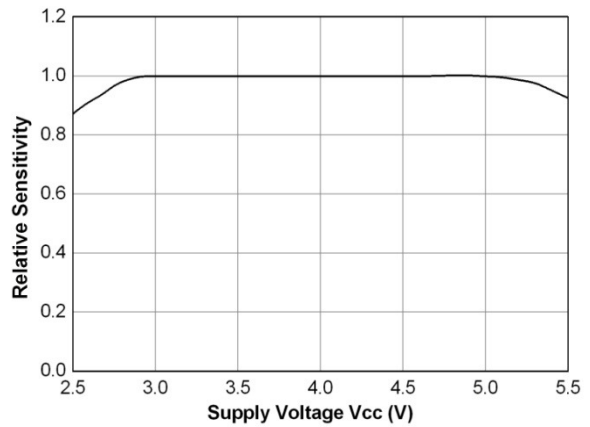
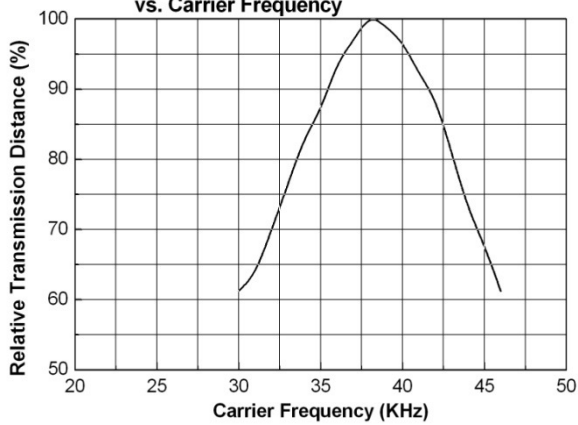
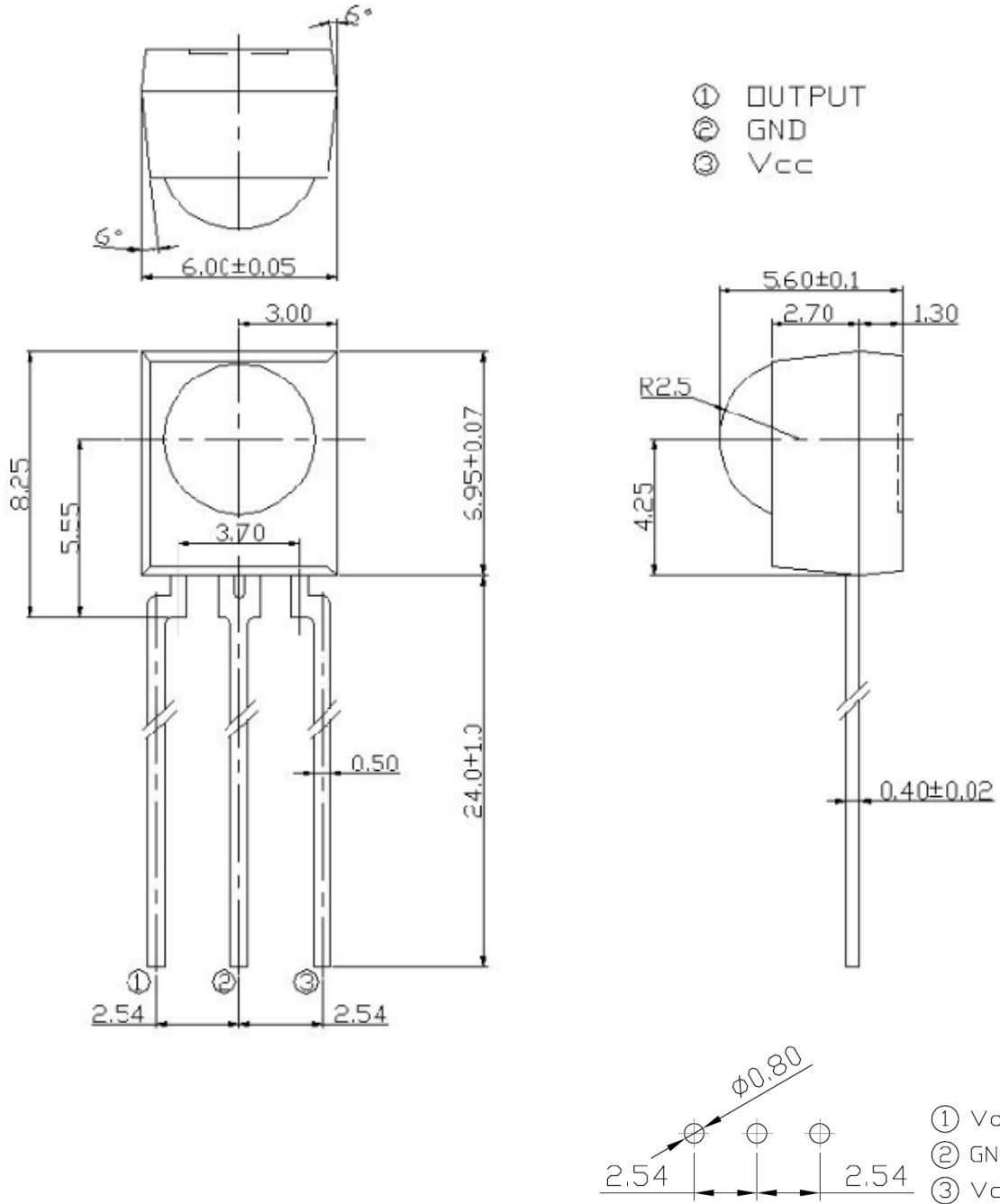


Fig.-8 Relative Transmission Distance vs. Carrier Frequency



Package Dimensions



- Notes:**
- 1.All dimensions are in millimeters.
 - 2.Tolerances unless dimensions ±0.3mm.

Code information

Protocol	Suitable	Protocol	Suitable
JVC	Yes	High Data Rate code	No
Matsushita	Yes	Continuous Code	No
Mitsubishi	No	Sharp	Yes
NEC	Yes	Sony 12 Bit	Yes
RC5_Philips	Yes	Sony 15 Bit	No
RC6_Philips	Yes	Sony 20 Bit	No
RCA_Thomson	No	Toshiba	Yes
Zenith	Yes		

Packing Quantity

1500 pcs / Box

10 Boxes / Carton

DISCLAIMER

1. Above specification may be changed without notice. EVERLIGHT will reserve authority on material change for above specification.
2. When using this product, please observe the absolute maximum ratings and the instructions for use outlined in these specification sheets. EVERLIGHT assumes no responsibility for any damage resulting from use of the product which does not comply with the absolute maximum ratings and the instructions included in these specification sheets.
3. These specification sheets include materials protected under copyright of EVERLIGHT. Reproduction in any form is prohibited without the specific consent of EVERLIGHT.