

Radar Pulsed Power Pallet 300W, 2.7-2.9 GHz

Rev. V1

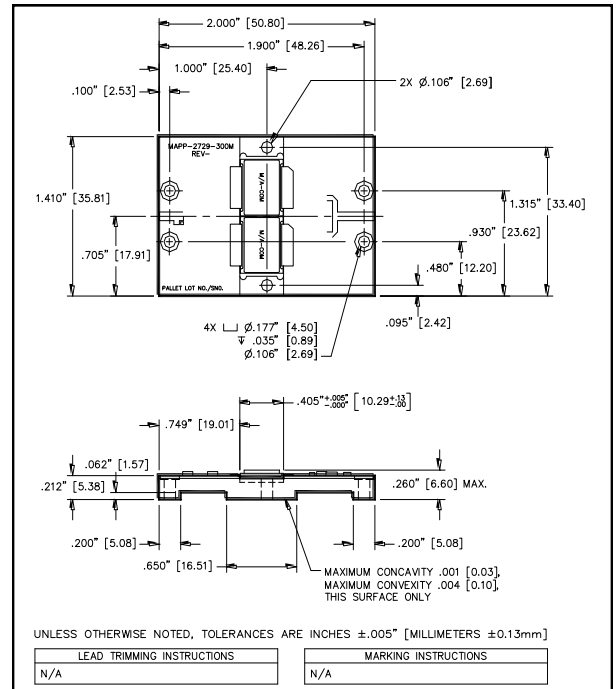
Features

- Input and output matched to 50Ω
- 350W, 46% efficiency; typical RF performance
- 36VCC, 44W nominal input RF drive level
- Includes RC bias filter
- NPN silicon power transistors
- Nickel/Gold plated copper flange
- MTTF>1x10⁶ hrs. @T_{flange}=45°C

Description

The MAPP-002729-300M00 is a common-base, Class-C,S-band pallet amplifier designed to streamline time-to-market. The transistors are DC-isolated to optimize current balance and enable individual current monitoring. A wide-trace Wilkinson combiner maximizes consistency and reduces loss. In addition, the wide traces simplify connection to 50Ω circuits on any PCB material. The pallet includes a gain compensation network at the input for ultra-flat gain vs. frequency response.

Outline Drawing

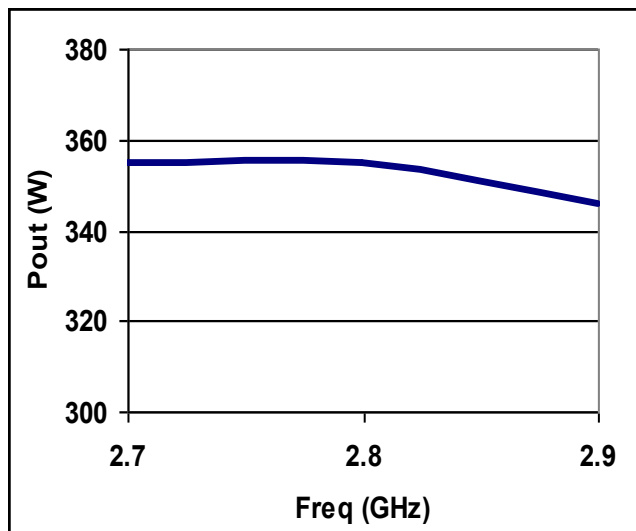


ELECTRICAL SPECIFICATIONS: @25°C ±5°C (ROOM AMBIENT)

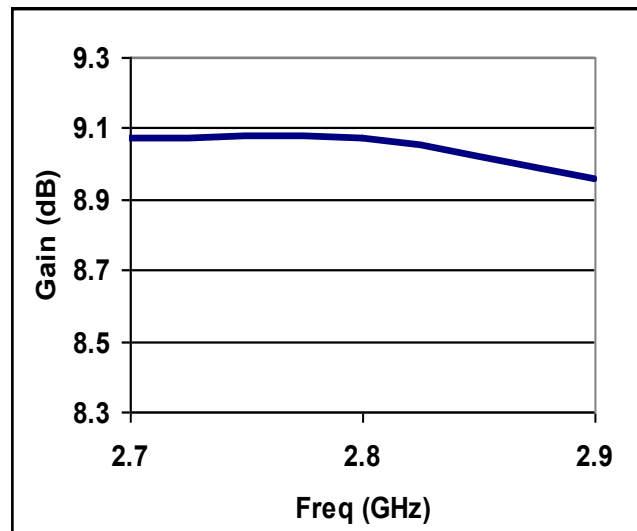
Parameter	Symbol	Min	Max	Units	Test Conditions
Output Power	P _{out}	300	—	Wpk	V _{CC} = 36 V, P _{in} = 44 Wpk, F=2.7, 2.8, 2.9 GHz
Output Power with 1 dB overdrive	P _{out} @1dB OD	315	—	Wpk	V _{CC} = 36 V, P _{in} = 55 Wpk, F=2.7, 2.8, 2.9 GHz
Delta Pout 1dB OD	P _{comp}	0.1	1.0	dB	V _{CC} = 36 V, P _{in} = 55 Wpk, F=2.7, 2.8, 2.9 GHz Given by 10log(Pout 1dB OD /Poutnom)
Power Gain	G _p	8.3	—	dB	V _{CC} = 36 V, P _{in} = 44 Wpk, F=2.7, 2.8, 2.9 GHz
Collector Efficiency	η _c	40	—	%	V _{CC} = 36 V, P _{in} = 44 Wpk, F=2.7, 2.8, 2.9 GHz
Input Return Loss	RL	10	—	dB	V _{CC} = 36 V, P _{in} = 44 Wpk, F=2.7, 2.8, 2.9 GHz
Pulse Amplitude Droop	Droop	—	0.5	dB	V _{CC} = 36 V, P _{in} = 44 Wpk, F=2.7, 2.8, 2.9 GHz
2nd Harmonic	2fc	—	-20	dBc	V _{CC} = 36 V, P _{in} = 44Wpk, F=2.7, 2.8, 2.9 GHz
Spurious Level	Spurious	—	-60	dBc	V _{CC} = 36 V, P _{in} = 44 Wpk, F=2.7, 2.8, 2.9 GHz
Insertion Phase Deviation	Δφ	-20	+20	°C	V _{CC} = 36 V, P _{in} = 44 Wpk, F=2.7, 2.8, 2.9 GHz
Rise time	Tr	—	300	nS	V _{CC} = 36 V, P _{in} = 44 Wpk, F=2.7, 2.8, 2.9 GHz
Overdrive stability, all non-harmonically related spurious	OD-S	—	50	dBc	V _{CC} = 36 V, P _{in} = 55.5 Wpk, F=2.7, 2.8, 2.9 GHz
Load Mismatch Stability	VSWR-S	—	1.5:1	—	V _{CC} = 36 V, P _{in} = 44 Wpk, F=2.7, 2.8, 2.9 GHz
Load Mismatch Tolerance	VSWR-T	—	2:1	dB	V _{CC} = 36 V, P _{in} = 44 Wpk, F=2.7, 2.8, 2.9 GHz
Gain Flatness over Frequency	G _p Flat	—	0.8	dB	V _{CC} = 36 V, P _{in} = 44 Wpk, F=2.7, 2.8, 2.9 GHz

Typical Performance Curves

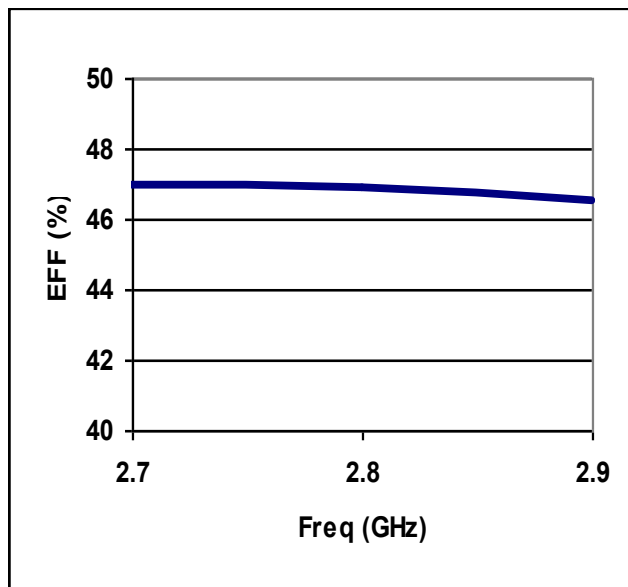
Power Output



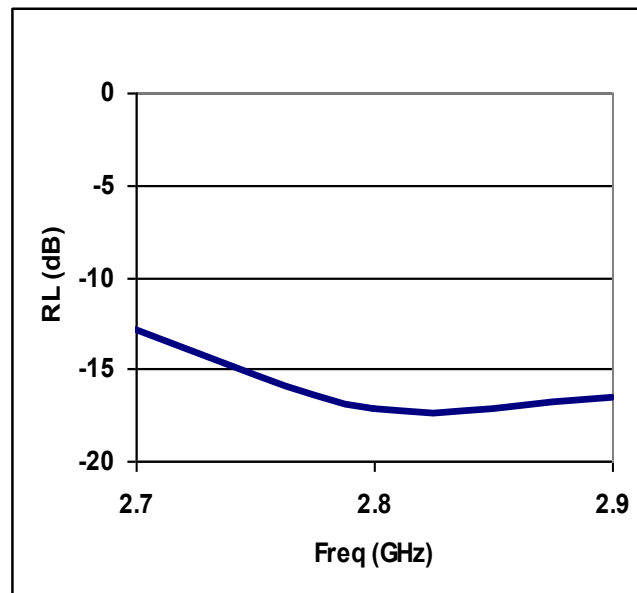
Gain



Efficiency



Return Loss



M/A-COM Technology Solutions Inc. All rights reserved.

Information in this document is provided in connection with M/A-COM Technology Solutions Inc ("MACOM") products. These materials are provided by MACOM as a service to its customers and may be used for informational purposes only. Except as provided in MACOM's Terms and Conditions of Sale for such products or in any separate agreement related to this document, MACOM assumes no liability whatsoever. MACOM assumes no responsibility for errors or omissions in these materials. MACOM may make changes to specifications and product descriptions at any time, without notice. MACOM makes no commitment to update the information and shall have no responsibility whatsoever for conflicts or incompatibilities arising from future changes to its specifications and product descriptions. No license, express or implied, by estoppel or otherwise, to any intellectual property rights is granted by this document.

THESE MATERIALS ARE PROVIDED "AS IS" WITHOUT WARRANTY OF ANY KIND, EITHER EXPRESS OR IMPLIED, RELATING TO SALE AND/OR USE OF MACOM PRODUCTS INCLUDING LIABILITY OR WARRANTIES RELATING TO FITNESS FOR A PARTICULAR PURPOSE, CONSEQUENTIAL OR INCIDENTAL DAMAGES, MERCHANTABILITY, OR INFRINGEMENT OF ANY PATENT, COPYRIGHT OR OTHER INTELLECTUAL PROPERTY RIGHT. MACOM FURTHER DOES NOT WARRANT THE ACCURACY OR COMPLETENESS OF THE INFORMATION, TEXT, GRAPHICS OR OTHER ITEMS CONTAINED WITHIN THESE MATERIALS. MACOM SHALL NOT BE LIABLE FOR ANY SPECIAL, INDIRECT, INCIDENTAL, OR CONSEQUENTIAL DAMAGES, INCLUDING WITHOUT LIMITATION, LOST REVENUES OR LOST PROFITS, WHICH MAY RESULT FROM THE USE OF THESE MATERIALS.

MACOM products are not intended for use in medical, lifesaving or life sustaining applications. MACOM customers using or selling MACOM products for use in such applications do so at their own risk and agree to fully indemnify MACOM for any damages resulting from such improper use or sale.