



N Female Bulkhead to MMCX Plug Right Angle Semi-Flexible Precision Cable Using PE-SR405FL Coax, RoHS

TECHNICAL DATA SHEET

PE39450

Hand Formable N Female Bulkhead to MMCX Plug Right Angle Semi-Flexible Precision Cable Using PE-SR405FL Coax, RoHS

Pasternack's formable cable assemblies are hand formable semi-rigid replacements that are an alternative to costly preformed assemblies. The formable semi-rigid cable alternatives are dimensionally and electrically similar to their semi-rigid counterpart and have a tinned-copper-braid outer shield that provides excellent RF shielding. The hand formable cable assemblies from Pasternack do not require special tooling to shape or reshape the assemblies and can replace standard semi-rigid versions. The assemblies are available with or without a PVC jacket and are RoHS compliant,

- Dimensionally and electrically the same as standard, solid outer conductor semi-rigid coax
- Cable may be formed by hand and does not require special tools to bend
- May be formed more than once without damaging the outer conductor
- High RF Shielding >100 dB
- 100% Hi-pot and continuity tested
- 100% VSWR tested to max frequency of assembly
- Standard and custom lengths ship the same day

Configuration

Connector 1	N Female Bulkhead
Connector 2	MMCX Plug Right Angle
Cable Type	PE-SR405FL

Electrical Specifications

Frequency Range, GHz	DC to 6
Impedance, Ohms	50
Maximum VSWR	1.35:1
Velocity of Propagation, %	69
RF Shielding, dB	100
Maximum Operating Voltage, Vrms	170

Typical Performance by Frequency

Frequency 1

Frequency, MHz	1000
Insertion Loss	0.225 dB/ft [0.74 dB/m]

Frequency 2

Frequency, GHz	5
Insertion Loss	0.549 dB/ft [1.8 dB/m]

Mechanical Specifications

Cable Assembly

Cable Type	PE-SR405FL
Diameter, in [mm]	0.086 [2.18]
Weight, lbs [g]	0.013 [5.9]
One Time Minimum Bend Radius, in [mm]	0.37 [9.4]

Click the following link (or enter part number in "SEARCH" on website) to obtain additional part information including price, inventory and certifications: [N Female Bulkhead to MMCX Plug Right Angle Semi-Flexible Precision Cable Using PE-SR405FL Coax, RoHS PE39450](#)

The information contained in this document is accurate to the best of our knowledge and representative of the part described herein. It may be necessary to make modifications to the part and/or the documentation of the part, in order to implement improvements. Pasternack reserves the right to make such changes as required. Unless otherwise stated, all specifications are nominal.



N Female Bulkhead to MMCX Plug Right Angle Semi-Flexible Precision Cable Using PE-SR405FL Coax, RoHS

TECHNICAL DATA SHEET

PE39450

Cable

Center Conductor Type	Solid
Cable Inner Conductor	Copper Clad Steel, Silver
No of Shields	1
Dielectric Type	PTFE

Connector 1

Type	N Female Bulkhead
Configuration	Straight
Mount Method	Bulkhead

Connector 2

Type	MMCX Plug Right Angle
Configuration	Right Angle

Compliance Certifications (visit www.Pasternack.com for current document)

RoHS Compliant	Yes
----------------	-----

Plotted and Other Data

Notes:	Values at 25 °C, sea level
--------	----------------------------

N Female Bulkhead to MMCX Plug Right Angle Semi-Flexible Precision Cable Using PE-SR405FL Coax, RoHS from Pasternack Enterprises has same day shipment for domestic and International orders. Our RF, microwave and fiber optic products maintain a 99% availability and are part of the broadest selection in the industry.

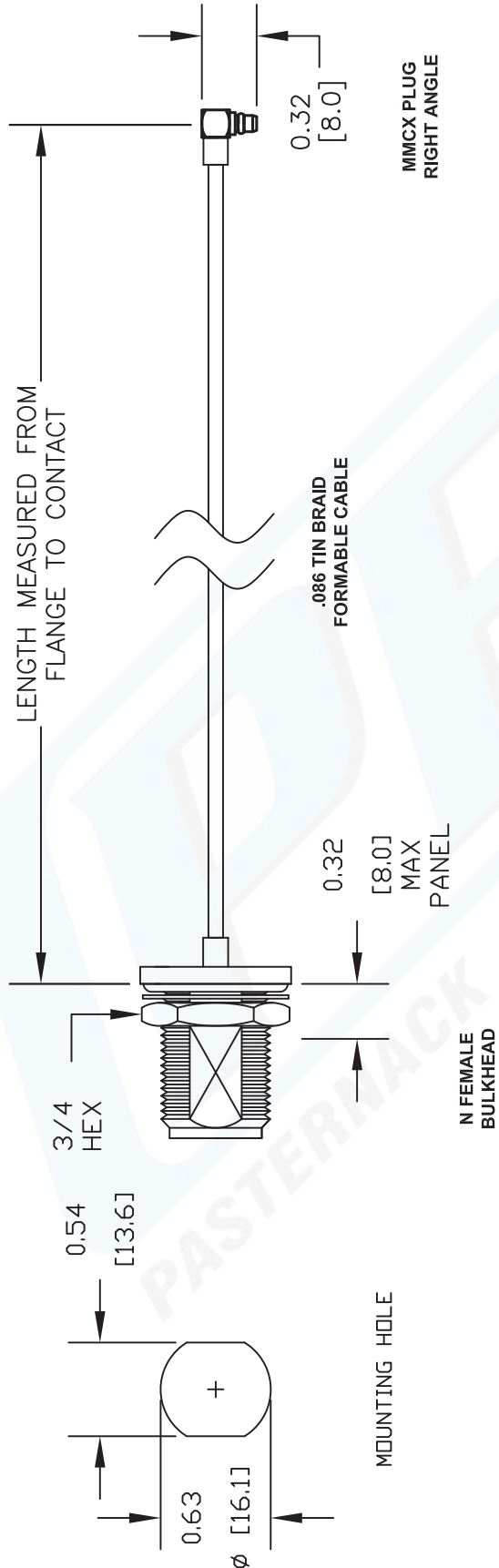
Click the following link (or enter part number in "SEARCH" on website) to obtain additional part information including price, inventory and certifications: [N Female Bulkhead to MMCX Plug Right Angle Semi-Flexible Precision Cable Using PE-SR405FL Coax, RoHS PE39450](http://www.pasternack.com/n-female-mmcx-plug-right-angle-semi-flexible-precision-cable-using-pe-sr405fl-coax-rohs-pe39450)

URL: <http://www.pasternack.com/n-female-mmcx-plug-right-angle-semi-flexible-precision-cable-using-pe-sr405fl-coax-rohs-pe39450-p.aspx>

The information contained in this document is accurate to the best of our knowledge and representative of the part described herein. It may be necessary to make modifications to the part and/or the documentation of the part, in order to implement improvements. Pasternack reserves the right to make such changes as required. Unless otherwise stated, all specifications are nominal.

PE39450 CAD Drawing

N Female Bulkhead to MMCX Plug Right Angle Semi-Flexible Precision Cable Using PE-SR405FL Coax, RoHS



Note: This part is lead free.

Part Number Configuration		How To Order	
PE3	ZZZ YY - XX UU	Part # Ext.	Length In Inches
00 - 99999	LF = Lead Free < Blank > = Standard Note: LF applies only to RF cables	-12	12"
		-24	24"
		-36	36"
		-48	48"
		-60	60"
		-XX	Custom Length
		-25CM	25Cm
		-50CM	50Cm
		-75CM	75Cm
		-100CM	100Cm
		-125CM	125Cm
		-XXCM	Custom Length



PASTERNACK ENTERPRISES, INC.
 P.O. BOX 16759, IRVINE, CA 92623
 PHONE (949) 261-1920 FAX (949) 261-7451
 WEB ADDRESS: www.pasternack.com
 E-MAIL ADDRESS: sales@pasternack.com
COAXIAL & FIBER OPTICS

DWG TITLE
PE39450

NOTES:
 1. UNLESS OTHERWISE SPECIFIED ALL DIMENSIONS ARE NOMINAL.
 2. ALL SPECIFICATIONS ARE SUBJECT TO CHANGE WITHOUT NOTICE AT ANY TIME.
 3. DIMENSIONS ARE IN INCHES (mm).
 4. LENGTH TOLERANCE IS ± 1.5% OR 3/8", WHICHEVER IS GREATER.

REV. -	FSCM NO. 53919	CAD FILE 041912	SCALE N/A	SIZE A	2231
--------	----------------	-----------------	-----------	--------	------