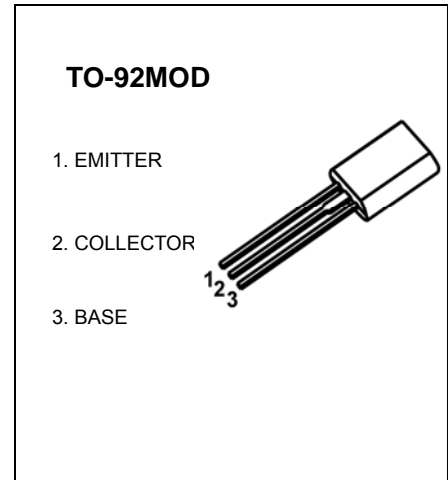


## TO-92MOD Plastic-Encapsulate Transistors

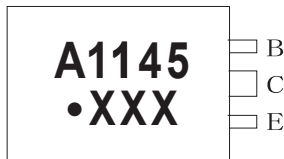
### 2SA1145 TRANSISTOR (PNP)

#### FEATURES

- Complementary to 2SC2705
- Small Collector Output Capacitance:  $C_{ob}=2.5pF$ (Typ.)
- High Transition Frequency:  $f_T=200MHz$ (Typ.)

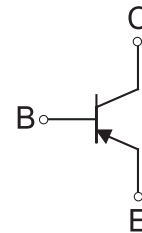


#### MARKING



A1145=Device code  
Solid dot= Green molding compound device,  
if none, the normal device  
XXX=Code

#### Equivalent Circuit



#### ORDERING INFORMATION

Part Number	Package	Packing Method	Pack Quantity
2SA1145	TO-92MOD	Bulk	500pcs/Bag
2SA1145-TA	TO-92MOD	Tape	2000pcs/Box

#### MAXIMUM RATINGS ( $T_a=25^{\circ}C$ unless otherwise noted)

Symbol	Parameter	Value	Unit
$V_{CBO}$	Collector-Base Voltage	-150	V
$V_{CEO}$	Collector-Emitter Voltage	-150	V
$V_{EBO}$	Emitter-Base Voltage	-5	V
$I_C$	Collector Current -Continuous	-50	mA
$P_C$	Collector Power Dissipation	0.8	W
$T_J$	Junction Temperature	150	$^{\circ}C$
$T_{stg}$	Storage Temperature	-55 to +150	$^{\circ}C$

## ELECTRICAL CHARACTERISTICS

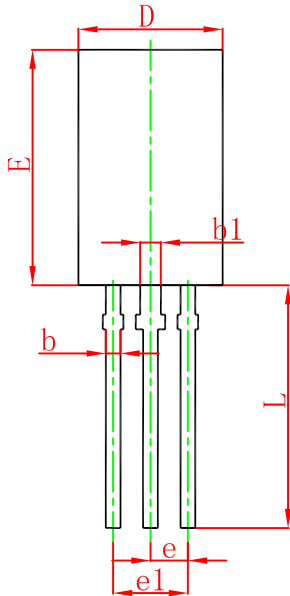
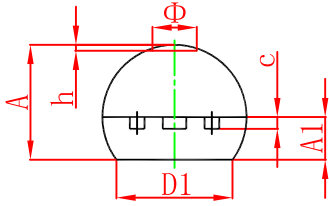
$T_a=25\text{ }^\circ\text{C}$  unless otherwise specified

Parameter	Symbol	Test conditions	Min	Typ	Max	Unit
Collector-base breakdown voltage	$V_{(BR)CBO}$	$I_C=-100\text{ }\mu\text{A}$ , $I_E=0$	-150			V
Collector-emitter breakdown voltage	$V_{(BR)CEO}$	$I_C=-1\text{mA}$ , $I_B=0$	-150			V
Emitter-base breakdown voltage	$V_{(BR)EBO}$	$I_E=-100\text{ }\mu\text{A}$ , $I_C=0$	-5			V
Collector cut-off current	$I_{CBO}$	$V_{CB}=-150\text{ V}$ , $I_E=0$			-0.1	$\mu\text{A}$
Emitter cut-off current	$I_{EBO}$	$V_{EB}=-5\text{ V}$ , $I_C=0$			-0.1	$\mu\text{A}$
DC current gain	$h_{FE}$	$V_{CE}=-5\text{ V}$ , $I_C=-10\text{mA}$	80		240	
Collector-emitter saturation voltage	$V_{CE(sat)}$	$I_C=-10\text{mA}$ , $I_B=-1\text{mA}$			-1	V
Base-emitter voltage	$V_{BE}$	$V_{CE}=-5\text{ V}$ , $I_C=-10\text{mA}$			-0.8	V
Transition frequency	$f_T$	$V_{CE}=-5\text{ V}$ , $I_C=-10\text{mA}$		200		MHz
Collector output capacitance	$C_{ob}$	$V_{CB}=-10\text{ V}$ , $I_E=0$ , $f=1\text{ MHz}$		2.5		pF

### CLASSIFICATION OF $h_{FE}$

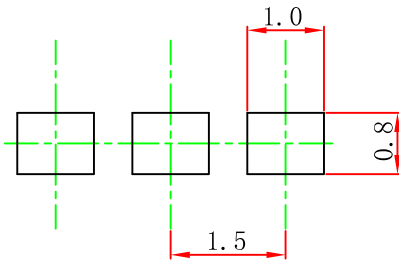
Rank	O	Y
Range	80-160	120-240
Marking		

## TO-92MOD Package Outline Dimensions



Symbol	Dimensions In Millimeters		Dimensions In Inches	
	Min.	Max.	Min.	Max.
A	4.800	5.000	0.189	0.197
A1	1.730	2.030	0.068	0.080
b	0.440	0.600	0.017	0.024
b1	0.940	1.100	0.037	0.043
c	0.350	0.450	0.014	0.018
D	5.900	6.100	0.232	0.240
D1	4.000		0.157	
E	8.500	8.700	0.335	0.343
e	1.500 TYP.		0.059 TYP.	
e1	2.900	3.100	0.114	0.122
L	13.800	14.200	0.543	0.559
$\Phi$		1.600		0.063
h	0.000	0.380	0.000	0.015

## TO-92MOD Suggested Pad Layout



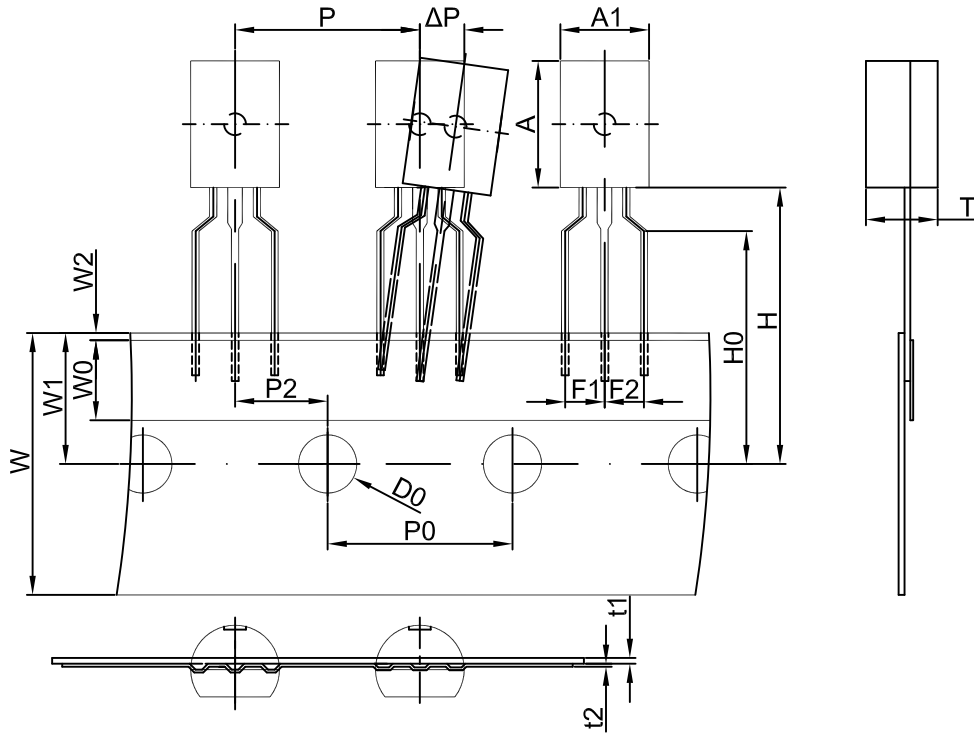
Note:

1. Controlling dimension: in millimeters.
2. General tolerance:  $\pm 0.05$ mm.
3. The pad layout is for reference purposes only.

### NOTICE

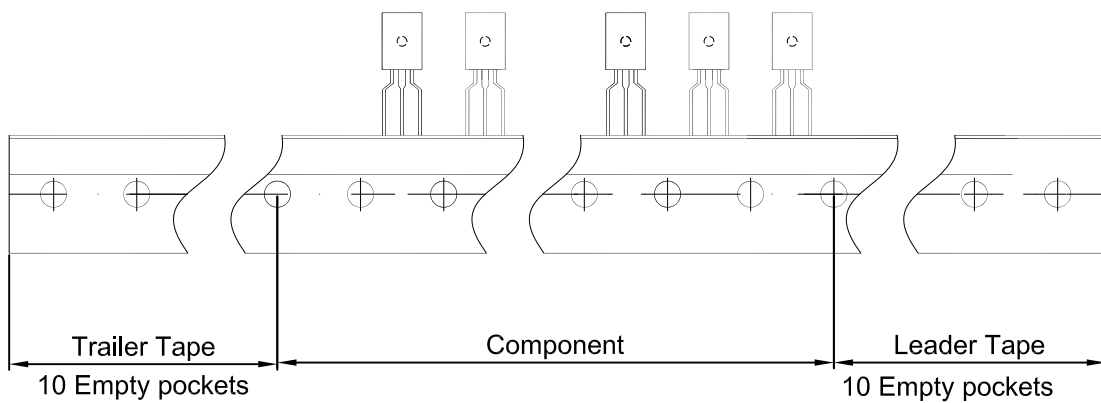
JCET reserve the right to make modifications, enhancements, improvements, corrections or other changes without further notice to any product herein. JCET does not assume any liability arising out of the application or use of any product described herein.

# TO-92MOD PACKAGE TAPEING DIMENSION



Dimensions are in millimeter

A1	A	T	P	P0	P2	F1	F2	W
6.0	8.6	4.9	12.7	12.7	6.35	2.5	2.5	18.0
W0	W1	W2	H	H0	D0	t1	t2	ΔP
6.0	9.0	1.0	19.0	16.0	4.0	0.4	0.2	0



Package	Box	Box Size(mm)	Carton	Carton Size(mm)
TO-92MOD	2000 pcs	333×245×43	20,000 pcs	573×404×266