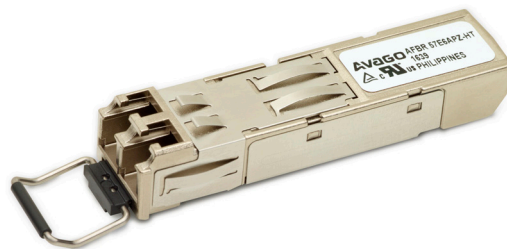


AFBR-57E6APZ-HT



Multimode Small Form Factor Pluggable Transceivers with LC Connector and DMI for FDDI and Fast Ethernet

Data Sheet



Description

The AFBR-57E6APZ-HT Small Form Factor Pluggable LC transceiver provides the system designer a product to implement FDDI/Fast Ethernet networks with DMI physical layers.

As an enhancement to the conventional SFP interface defined in SFF-8074i, the AFBR-57E6APZ-HT is compatible to SFF-8472 (digital diagnostic interface for optical transceivers). Using the 2-wire serial interface defined in the SFF-8472 MSA, the AFBR-57E6APZ-HT provides real time information on temperature, LED bias current, LED average output power and receiver average input power. The interface also adds the ability to monitor the Receiver Loss of Signal (RX_LOS).

Transmitter

The transmitter contains a 1310-nm InGaAsP LED. This LED is packaged in the optical subassembly of the transmitter. It is driven by an integrated circuit which converts differential PECL logic signals into an analog LED drive current. This current is monitored by the digital diagnostic interface. The transmitter light output power is inferred from this information.

The LED is switched off in case a static signal is present at the PECL inputs.

Receiver

The receiver uses an InGaAs PIN photodiode coupled to a transimpedance pre- and postamplifier IC. It is packaged in the optical subassembly of the receiver. The data output is differential LVPECL. The LOS output is +3.3 V TTL as per SFF-8074i. The PIN photodiode average current is monitored by the digital diagnostic interface as a measure for input optical power. Rx squelch is activated when a low input power is detected.

Features

- RoHS compliant
- Lead free
- Industry standard Small Form Pluggable (SFP) package
- LC duplex connector optical interface
- Operates with 50/125 μm and 62.5/125 μm multimode fiber
- Compatible with 100BASE-FX version of IEEE802.3u
- Single +3.3V power supply
- +3.3V TTL LOS output
- Squelched receiver outputs
- Manufactured in an ISO 9001 certified facility
- Operating temperature range: -40°C to 95°C
- Bail de-latch
- Hot plug capability

Applications

- Factory automation at Fast Ethernet speeds
- Fast Ethernet networking over multimode fiber

Loss of Signal

The Loss of Signal (LOS) output indicates that the optical input power to the receiver does not meet the minimum detectable level for FDDI compliance.

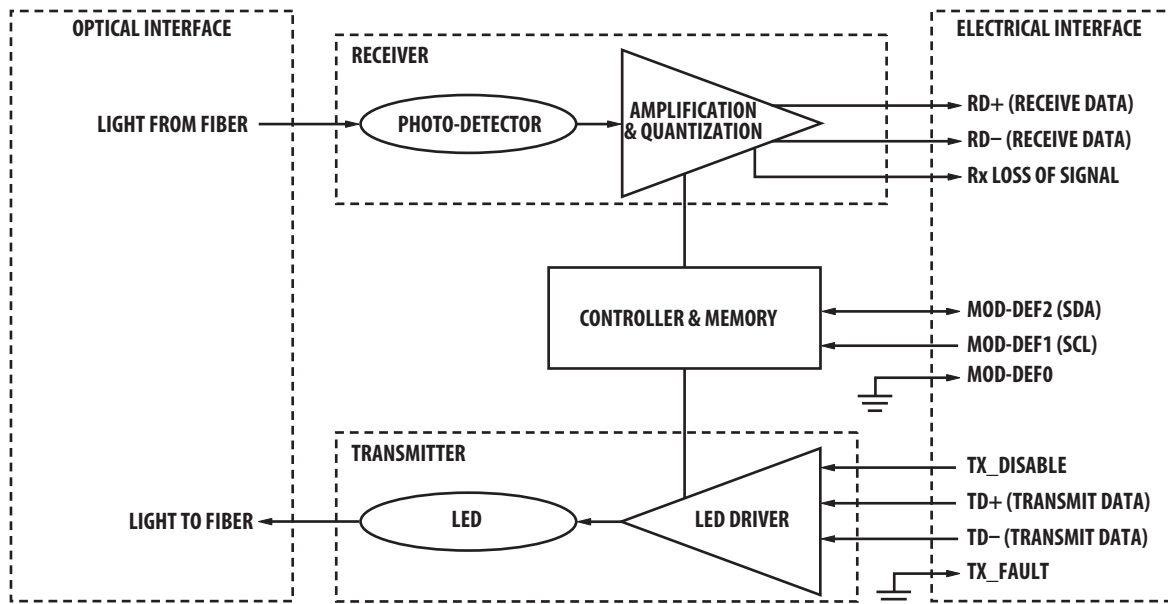
Module Package

The transceiver package is compliant with the Small Form Pluggable (SFP) MSA with the LC duplex connector option. The hot-pluggable capability of the SFP package allows the module to be installed at any time including when the host system is on-line and operating. This permits the system to be configured or maintained without system downtime. The AFBR-57E6APZ-HT requires a 3.3V DC power supply for optimal performance.

Module Diagrams

Figure 1 illustrates the major functional components of the AFBR-57E6APZ-HT. The connection diagram of the module is shown in Figure 2. Figures 5 to 7 depict the external configuration and dimensions of the module.

Figure 1 Transceiver Functional Diagram

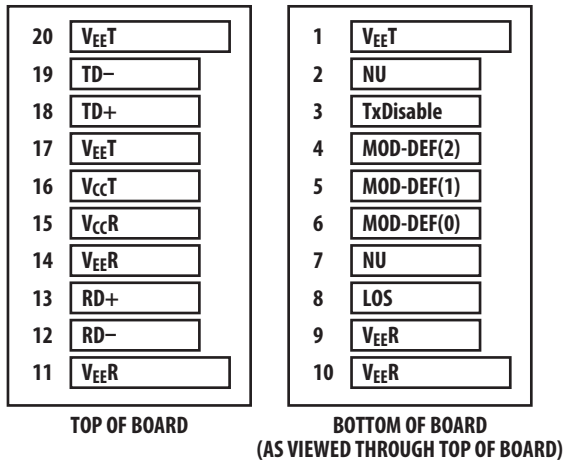


Installation

The AFBR-57E6APZ-HT can be installed in or removed from any MultiSource Agreement (MSA) – compliant Small Form Pluggable port regardless of whether the host equipment is operating or not. The module is simply inserted, electrical interface first, under finger pressure. Controlled hot-plugging is ensured by 3-stage pin sequencing at the electrical interface. The module housing makes initial contact with the host board EMI shield mitigating potential damage due to electrostatic discharge (ESD). The 3-stage pin contact sequencing involves (1) Ground, (2) Power, and then (3) Signal pins making contact with the host board surface mount connector in that order.

This printed circuit board card edge connector is depicted in Figure 2.

Figure 2 Connection Diagram of Module Printed Circuit Board



Digital Diagnostic Interface and Serial Identification

The 2-wire serial interface is based on ATMEL AT24C02C series EEPROM protocol. Conventional EEPROM memory (bytes 0–255 at memory address 0xA0) is organized in compliance with SFF-8074i. As an enhancement the AFBR-57E6APZ-HT is also compatible to SFF-8472. This enhancement offers digital diagnostic information at bytes 0–255 at memory address 0xA2.

In addition to monitoring of the LED drive current and photodiode current, the interface also monitors the transmitter supply voltage and the temperature. The transmitter voltage supply must be provided for the digital diagnostic interface to operate.

Data I/O

The AFBR-57E6APZ-HT fiber-optic transceiver is designed to accept industry standard differential signals. The transceiver provides an AC-coupled, internally terminated data interface. Coupling capacitors have been included within the module to reduce the number of components on the customer's board. Figure 3 depicts the recommended interface circuitry.

Regulatory Compliance

See Table 1 for transceiver regulatory compliance performance. The overall equipment design will determine the certification level. The transceiver performance is offered as a figure of merit to assist the designer.

Electrostatic Discharge (ESD)

There are two conditions where immunity to ESD damage is important. Table 1 documents the transceiver's immunity to both these conditions.

The first condition is static discharge to the transceiver when handling it. For example when the transceiver is inserted into the transceiver port. To protect the transceiver, it is important to use normal ESD handling procedures. These precautions include grounded wrist straps, workbenches, and floor mats in ESD controlled areas. The ESD sensitivity of the AFBR-57E6APZ-HT is compatible with typical industry production environments.

The second condition is static discharge to the exterior of the host equipment chassis after installation. To the extent that the duplex LC optical interface is exposed to the outside of the host equipment chassis, it may be subject to system-level ESD events. The ESD performance of AFBR-57E6APZ-HT exceeds typical industry standards.

Immunity

Equipment hosting the AFBR-57E6APZ-HT will be subjected to radio-frequency electromagnetic fields in some environments. These transceivers have good immunity to such fields due to their shielded design.

Electromagnetic Interference (EMI)

Most equipment designs using these high-speed transceivers from Avago will be required to meet the requirements of CENELEC EN55022.

The metal housing design and shielded design of the AFBR-57E6APZ-HT transceiver minimize the EMI challenge facing the host equipment designer. The transceivers provide superior EMI performance.

Eye Safety

These transceivers provide Class 1 eye safety by design. Avago has tested the transceiver design for compliance with the requirements listed in Table 1 under normal operating conditions and under a single fault condition.

Flammability

The AFBR-57E6APZ-HT transceiver housing is made of metal and high strength, heat resistant, chemically resistant and UL-94V-0 flame retardant plastic.

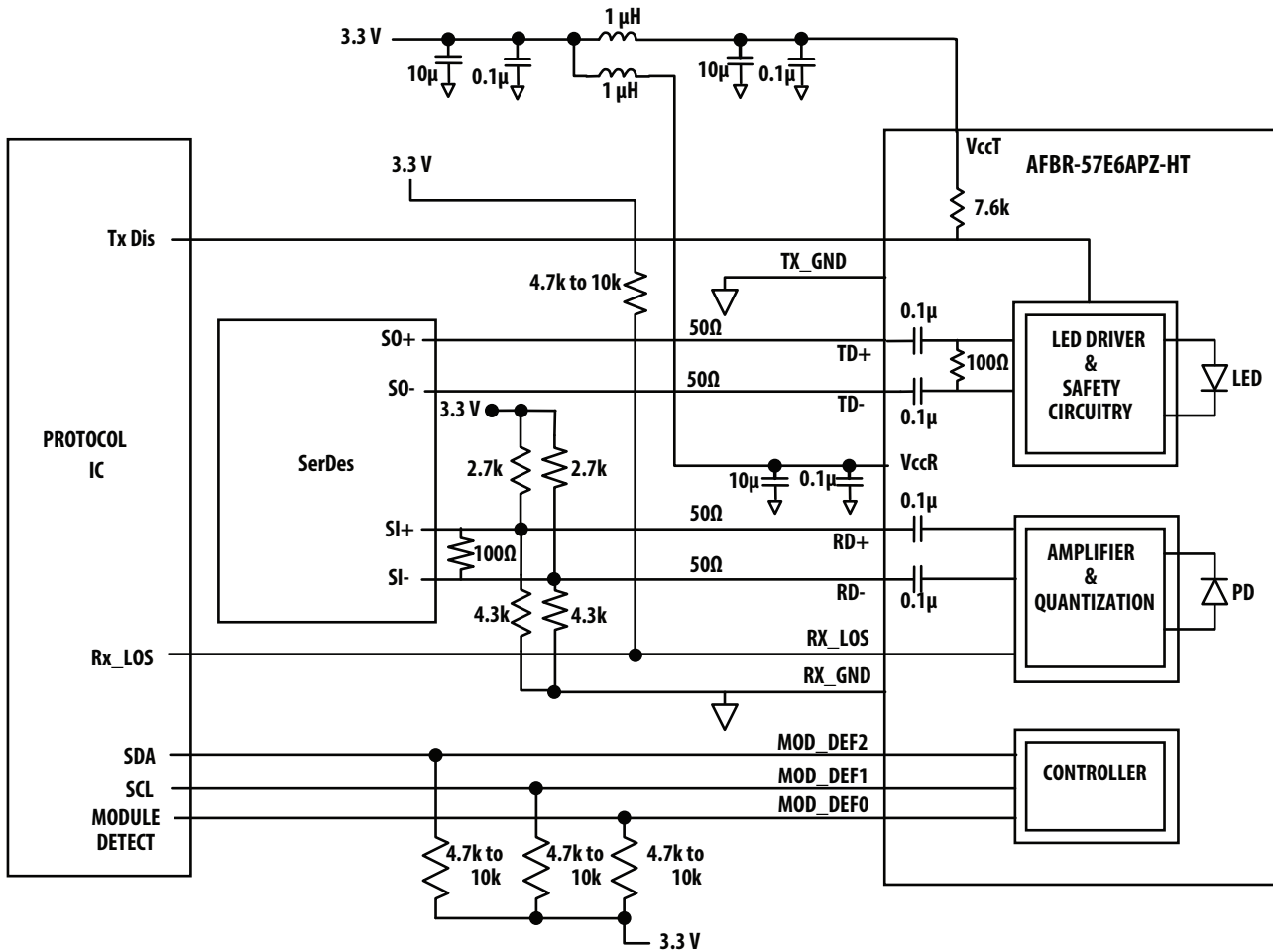
Shipping Container

Ten transceivers are packaged in one shipping container designed to protect it from mechanical and ESD damage during shipment or storage.

Table 1 Regulatory Compliance

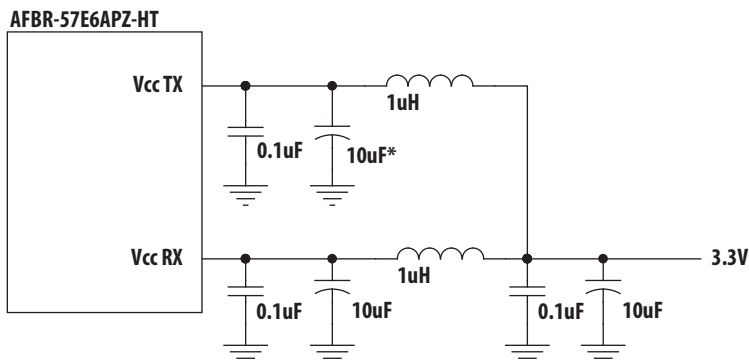
Feature	Test Method	Performance
Electrostatic Discharge (ESD) to the electrical pins	JEDEC JESD22-A114	Meets Class 2 (2000V to 3999V). Withstand up to 2000V applied between electrical pins.
Electrostatic Discharge (ESD) to the Duplex LC Receptacle	Variation of IEC 61000-4-2	Typically withstand at least 9 kV without damage when the LC connector receptacle is contacted by a Human Body Model probe. Typically withstand 15 kV air discharge on LC-connector receptacle.
Electromagnetic Interference (EMI)	FCC Class B, CENELEC EN55022 (CISPR 22) Class B	System margins are dependent on customer board and chassis design.
Immunity	IEC 61000-4-3	Typically shows no measurable effect from a 10 V/m field swept from 80 to 1 GHz applied to the transceiver without a chassis enclosure.
Component Recognition	Underwriters Laboratories and Canadian Standards Association Joint Component Recognition for Information Technology Equipment including Electrical Business Equipment	E173874, Vol. 1
Eye Safety	EN 60950-1:2006+A11+A1+A12+A2 EN 60825-1:2007 EN 60825-2:2004+A1+A2	Compliant per Avago testing under single fault conditions.
RoHS Compliance		Reference to RoHS Directive 2011/65EU Annex II

Figure 3 Recommended Connection Circuitry



NOTE Refer to SerDes supplier's recommendation regarding the interface between the AFBR-57E6APZ-HT and the SerDes. The proposed termination is a general recommendation for LVPECL AC-coupled signals. Other terminations could also be applicable depending on the SerDes interface.

Figure 4 MS Required Power Supply Filter



Note: Inductors should have less than 1 Ohm series resistor per MSA
* optional capacitance but recommended (required for SFP+)

Table 2 Pin Description

Pin	Name	Function/Description	MSA Notes
1	VEET	Transmitter Ground	a
2	NU	Not Used	b
3	Tx Disable	Transmitter Disable – Module disables on high or open	
4	MOD-DEF2	Module Definition 2 – Two wire serial ID interface	c
5	MOD-DEF1	Module Definition 1 – Two wire serial ID interface	c
6	MOD-DEF0	Module Definition 0 – grounded in module	c
7	NU	Not Used	
8	LOS	Loss of Signal – high indicates loss of signal	d
9	VEER	Receiver Ground	a
10	VEER	Receiver Ground	a
11	VEER	Receiver Ground	a
12	RD-	Inverse Received Data Out	e
13	RD+	Received Data Out	e
14	VEER	Receiver Ground	a
15	VCCR	Receiver Power 3.3V	
16	VCCT	Transmitter Power 3.3V	
17	VEET	Transmitter Ground	a
18	TD+	Transmitter Data In	f
19	TD-	Inverse Transmitter Data In	f
20	VEET	Transmitter Ground	a

- a. Transmitter and Receiver grounds are connected in the transceiver PCB.
- b. Pulled to < 0.8V during transceiver operation.
- c. Mod-Def 0, 1, 2 are the module definition pins. They should be pulled up with a 4.7 k Ω to 10 k Ω resistor on the host board to a supply less than $V_{CC}T + 0.3V$ or $V_{CC}R + 0.3V$. To use this interface, supply 3.3V to $V_{CC}T$.
 - Mod-Def 0 is grounded by the module to indicate that the module is present.
 - Mod-Def 1 is the clock line of the two-wire serial interface.
 - Mod-Def 2 is the data line of the two-wire serial interface.
- d. Loss Of Signal (LOS) is an open collector/drain output that should be pulled up externally with a 4.7 k Ω to 10 k Ω resistor on the host board to a supply less than $V_{CC}T, R + 0.3V$. When high, this output indicates that the received optical power is below the worst case receiver sensitivity (as defined by the standard in use). In the low state, the output will be pulled to a voltage less than 0.8V. LOS only valid if $V_{CC}T$ and $V_{CC}R$ are powered.
- e. RD-/+: These are the differential receiver outputs. They are AC-coupled to 100 Ω differential lines which should be terminated with 100 Ω differential at the SERDES. AC-coupling is present inside the module and is not required on the host board.
- f. TD-/+: These are the differential transmitter inputs. They are AC-coupled differential lines with 100 Ω differential termination inside the module. AC-coupling is present inside the module and is not required on the host board.

Package Dimensions

Figure 5 Module Drawing

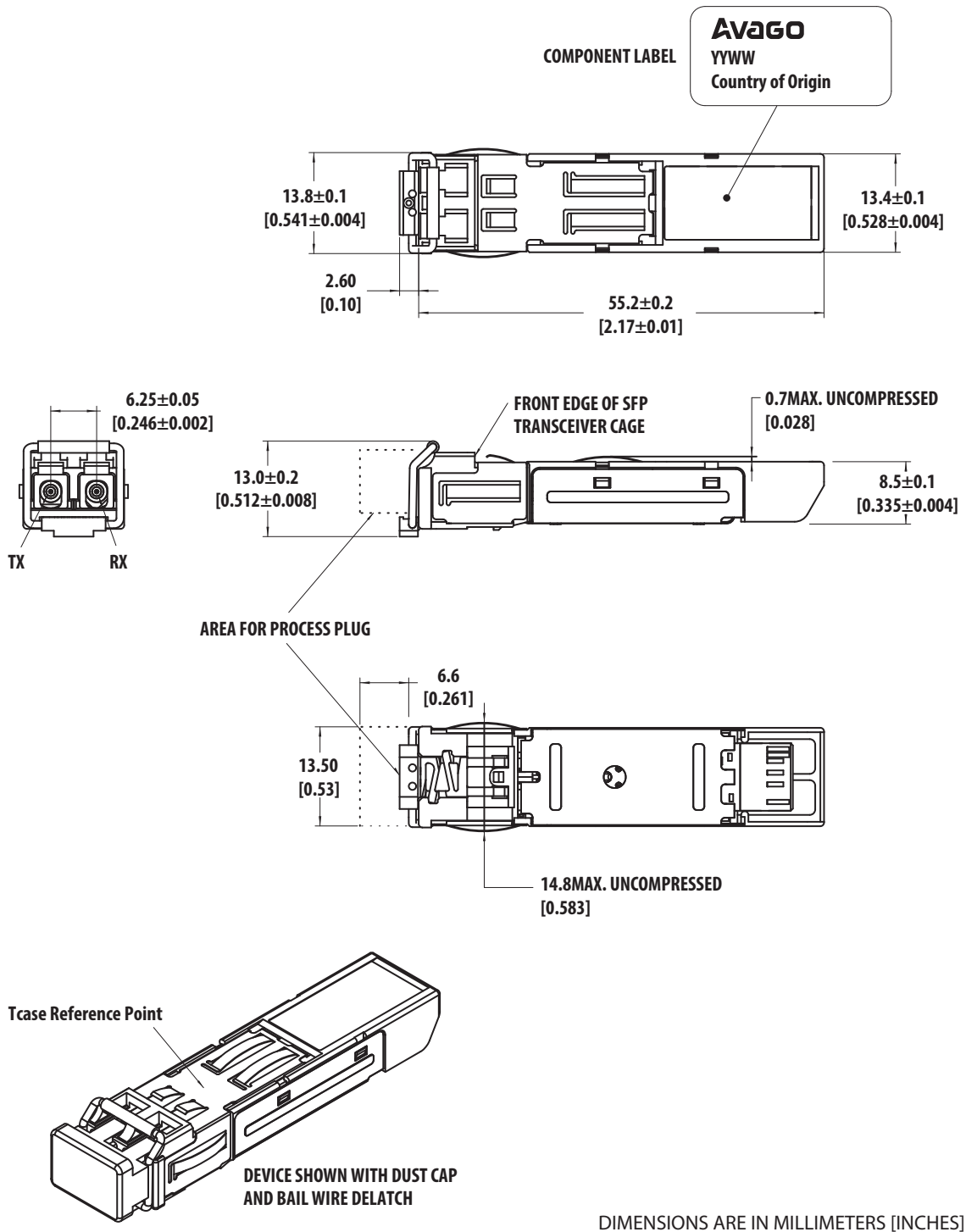


Figure 6 SFP Host Board Mechanical Layout

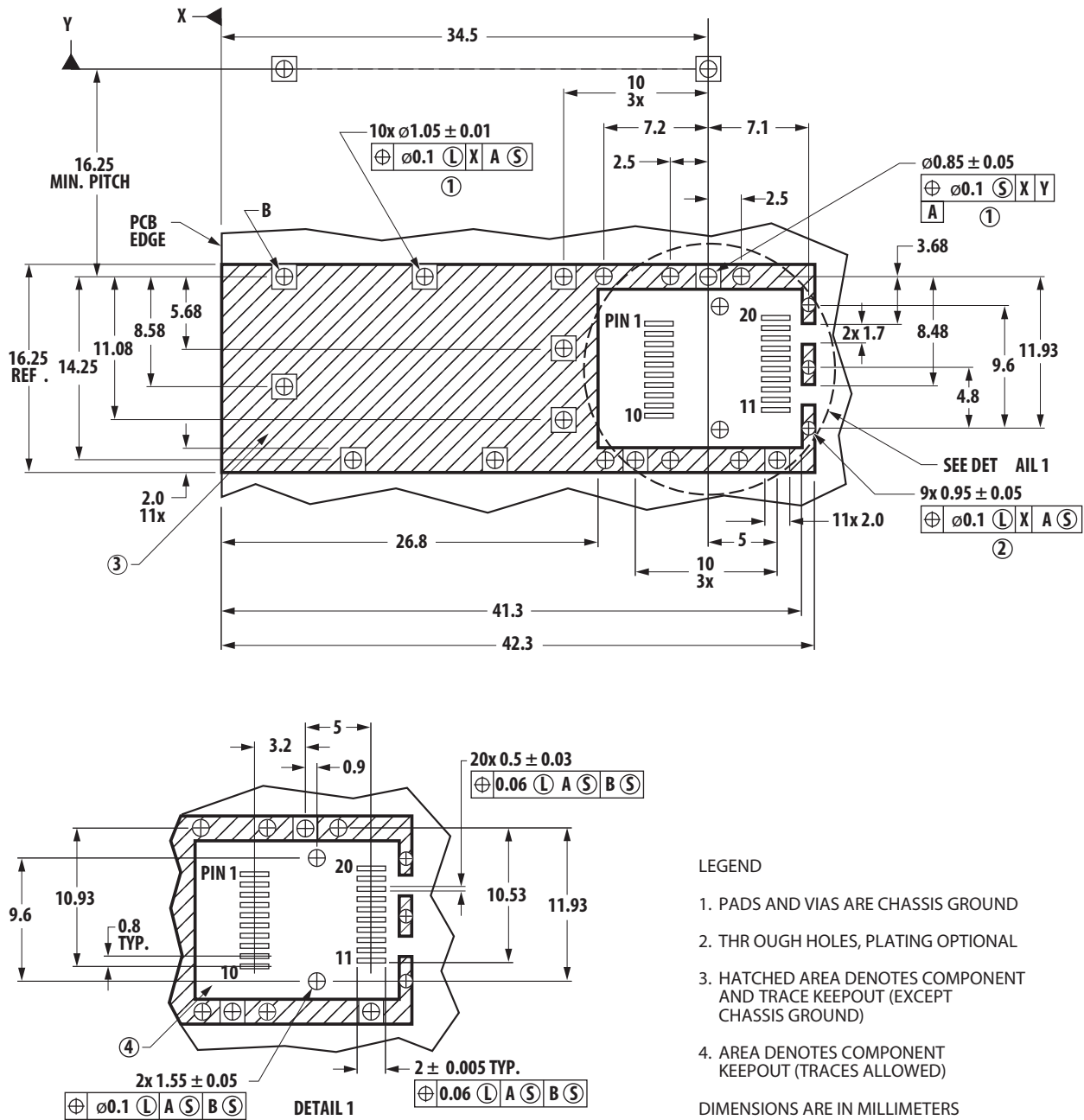
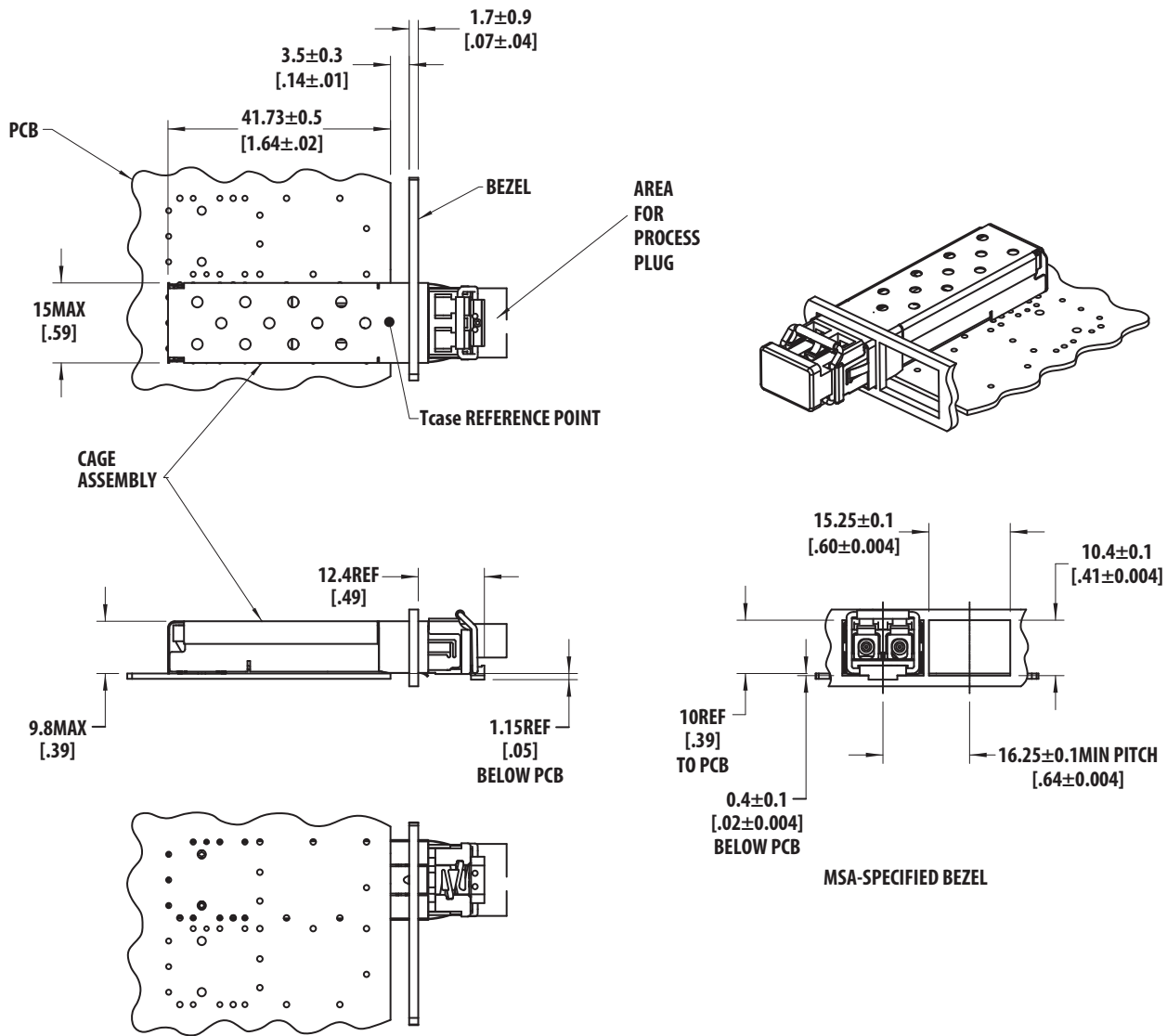


Figure 7 SFP Assembly Drawing



DIMENSIONS ARE IN MILLIMETERS [INCHES].

Absolute Maximum Ratings

Stresses in excess of the absolute maximum ratings can cause catastrophic damage to the device. Limits apply to each parameter in isolation, all other parameters having values within the recommended operation conditions. It should not be assumed that limiting values of more than one parameter can be applied to the products at the same time. Exposure to the absolute maximum ratings for extended periods can adversely affect device reliability.

Table 3 Absolute Maximum Ratings

Parameter	Symbol	Min	Max	Unit	Notes
Storage Temperature	T_S	-40	+100	°C	
Supply Voltage	V_{CC}	-0.5	3.63	V	
Data Input Voltage	V_I	-0.5	V_{CC}	V	
Receiver Optical Input Power	P_{in}		0	dBm	

Recommended Operating Conditions

All the data in this specification refers to the operating conditions above and over lifetime unless otherwise stated.

Table 4 Recommended Operating Conditions

Parameter	Symbol	Min	Typ	Max	Unit	Notes
Case Operating Temperature	T_C	-40		+95	°C	a, b
Supply Voltage	V_{CC}	3.0	3.3	3.6	V	
Data Output Load	R_L		100			Differential
Signalling rate (Fast Ethernet)	B		125		MBd	c

- The case temperature is measured at the surface of the topside (see Figure 5) using a thermocouple connected to the housing.
- Electrical and optical specifications of the product are guaranteed across recommended case operating temperature only.
- 4B/5B. Ethernet auto-negotiation pulses are not supported.

Table 5 Transmitter Electrical Characteristics

Parameter	Symbol	Min	Typ	Max	Unit	Notes
Supply Current	I_{CC}		45	70	mA	a
Power Dissipation	P_{DISS}		150	260	mW	
Differential input voltage	V_{DIFF}	0.5	1.0	1.8	V	b
Input Differential Impedance	R_{in}		100		Ω	c
Transmitter Disable (TX Disable) High	V_{IH}	2.0		V_{CC}	V	
Transmitter Disable (TX Disable) Low	V_{IL}	0		0.8	V	

- Typical values are for room temperature at 3.3V.
- Peak to Peak.
- Tx data inputs are AC coupled.

Table 6 Receiver Electrical Characteristics

Parameter	Symbol	Min	Typ	Max	Unit	Notes
Supply Current	I_{CC}		31	40	mA	a
Power Dissipation	P_{DISS}		105	145	mW	
Data Output: Receiver Differential Output Voltage (RD+/-)	$ V_{OH}-V_{OL} $	1.0		1.8	V	b, c
Data Output Rise Time (10%–90%)	t_r			2.2	ns	
Data Output Fall Time (10%–90%)	t_f			2.2	ns	
Loss of Signal Output Voltage – Low	LOS_{VOL}			0.8	V	
Loss of Signal Output Voltage – High	LOS_{VOH}	2.0			V	

- a. Typical values are for room temperature at 3.3V.
- b. Differential output voltage is internally AC-coupled. The low and high voltages are measured using 100Ω differential termination.
- c. RD+ and RD- outputs are squelched at LOS assert levels.

Table 7 Transmitter Optical Characteristics

Parameter	Symbol	Min	Typ	Max	Unit	Notes
Output Optical Power, 62.5/125μm NA = 0.275 Fiber	P_o	-20.0	-17.0	-14.0	dBm	a, b
Output Optical Power, 50/125μm NA = 0.20 Fiber	P_o	-24.0	-21.0	-17.0	dBm	a, b
Extinction Ratio	ER	10			dB	
Central Wavelength	λ_C	1270	1308	1380	nm	
Spectral width – FWHM	$\Delta\lambda$		147		nm	
Optical Rise Time (10%–90%)	t_r	0.6	1.0	3.0	ns	c
Optical Fall Time (10%–90%)	t_f	0.6	1.0	3.0	ns	c
Duty Cycle Distortion Contributed by the Transmitter	DCD			0.6	ns	d, e
Data Dependent Jitter Contributed by the Transmitter	DDJ			0.6	ns	d
Random Jitter Contributed by the Transmitter	RJ			0.69	ns	d, f
Transmitter Disable (High)	$P_{o(off)}$			-45	dBm	

- a. Optical values are measured over the specified operating voltage and temperature ranges. The average power can be converted to a peak value by adding 3dB.
- b. Average.
- c. Measured with a 400MHz optical to electrical converter.
- d. Characterized with 125MBd, PRBS2⁷-1 pattern.
- e. Duty Cycle Distortion contributed by the transmitter is measured at 50% threshold of the optical signal.
- f. Peak to Peak.

Table 8 Receiver Optical and Electrical Characteristics

Parameter	Symbol	Min	Typ	Max	Unit	Notes
Optical Input Power	P_{IN}	-31.0		-12.0	dBm	a, b
Operating Wavelength	λ_R	1270		1380	nm	
Table 9 Duty Cycle Distortion Contributed by the Receiver	DCD			0.4	ns	c, d
Data Dependent Jitter Contributed by the Receiver	DDJ			1.0	ns	d
Random Jitter Contributed by the Receiver	RJ			2.14	ns	d, e
Loss of Signal - De-asserted	P_D			-32.0	dBm	b
Loss of Signal - Asserted	P_A	-45			dBm	b
Loss of Signal - Hysteresis	$P_A - P_D$	0.5	1.6		dB	

- a. This specification is intended to indicate the performance of the receiver section of the transceiver when Optical Input Power signal characteristics are present per the following definitions:
 - a. Over the specified operating temperature and voltage ranges
 - b. Bit Error Rate (BER) is better than or equal to 1×10^{-10}
 - c. Transmitter is operating to simulate any cross-talk present between the transmitter and receiver sections of the transceiver.
- b. Average.
- c. Duty Cycle Distortion contributed by the receiver is measured at 50% threshold of the electrical signal.
- d. Characterized with 125MBd, PRBS²-1 pattern.
- e. Peak to Peak.

Table 9 Transceiver Diagnostics Timing Characteristics

Parameter	Symbol	Min	Max	Unit	Notes	Figure
Hardware TXDIS Assert Time	t_off		10	μs	a	Figure 8
Hardware TXDIS De-Assert Time	t_on		30	μs	b	Figure 8
Time to Initialize	t_init		300	ms	c	Figure 8
Hardware LOS Assert Time	t_loss_on		100	μs	d	
Hardware LOS De-Assert Time	t_loss_off		350	μs	e	
Software TX_DISABLE Assert Time	t_off_soft		100	ms	f	
Software TX_DISABLE De-Assert Time	t_on_soft		100	ms	g	
Software RX_LOS Assert Time	t_loss_on_soft		100	ms	h	
Software RX_LOS De-Assert Time	t_loss_off_soft		100	ms	i	
Analog parameter Data Ready	t_data		1000	ms	j	
Serial Hardware Ready	t_serial		300	ms	k	
Write Cycle Time	t_write		10	ms	l	
Serial ID Clock Rate	f_serial_clock		400	kHz		

- a. Time from rising edge of TXDIS to when the optical output falls below 10% of nominal.
- b. Time from falling edge of TXDIS to when the modulated optical output rises above 90% of nominal.
- c. Time from Power on or falling edge of TXDIS to when the modulated optical output rises above 90% of nominal.
- d. Time from loss of optical signal to LOS assertion.
- e. Time from valid optical signal to LOS de-assertion.
- f. Time from two-wire interface assertion of TX_DISABLE (A2h, byte 110, bit 6) to when the optical output falls below 10% of nominal. Measured from falling clock edge after stop bit of write transaction.
- g. Time from two-wire interface de-assertion of TX_DISABLE (A2h, byte 110, bit 6) to when the modulated optical output rises above 90% of nominal.
- h. Time for two-wire interface assertion of Rx_LOS (A2h, byte 110, bit 1) from loss of optical signal.
- i. Time for two-wire interface de-assertion of Rx_LOS (A2h, byte 110, bit 1) from presence of valid optical signal.
- j. From power on to data ready bit asserted (A2h, byte 110, bit 0). Data ready indicates analog monitoring circuitry is functional.
- k. Time from power on until module is ready for data transmission over the serial bus (reads or writes over A0h and A2h).
- l. Time from stop bit to completion of a 1–8 byte write command.

Figure 8 Timing Diagram

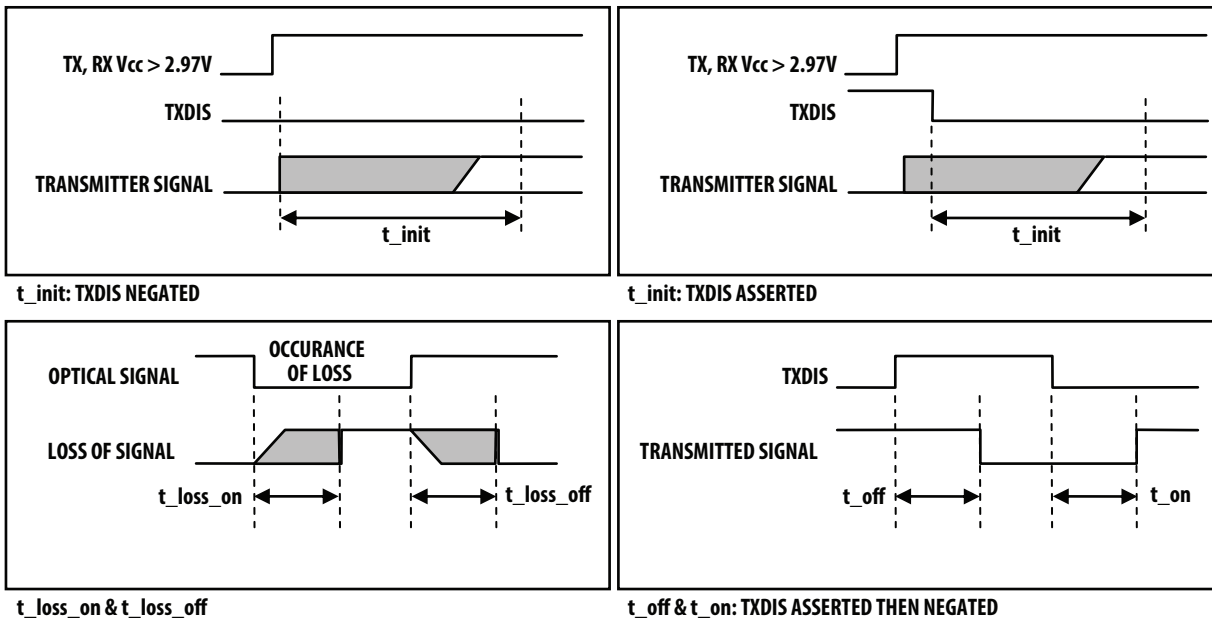


Table 10 Transceiver Digital Diagnostic Monitor (Read Time Sense) Characteristics

Parameter	Symbol	Max	Units	Notes
Transceiver Internal Temperature Accuracy	T_{INT}	± 3.0	$^{\circ}C$	Registers indicate case temperature which is derived from the internally measured temperature. Valid from $-40^{\circ}C$ to $+95^{\circ}C$ case temperature with Tx Enabled.
Transceiver Internal Supply Voltage Accuracy	V_{INT}	± 0.1	V	Supply voltage is measured internal to the transceiver and can, with less accuracy, be correlated to voltage at the SFP VCC pin. Valid over $3.3V \pm 10\%$.
Transmitter LED DC Bias Current Accuracy	I_{BIAS}	± 10	%	IBIAS is better than $\pm 10\%$ nominal value
Transmitter Average Optical Power Accuracy	P_T	± 3.0	dB	Transmitter power is inferred from the LED bias current.
Received Average Optical Input Power Accuracy	P_R	± 3.0	dB	Coupled from a $62.5/125\mu m$ fiber.

Table 11 EEPROM Serial ID Memory Contents – Address A0h

Byte # Decimal	Hex	ASCII	Description	Byte # Decimal	Hex	ASCII	Description
0	03		SFP transceiver	38	17		
1	04			39	6A		
2	07		LC connector	40	41	A	
3	00			41	46	F	
4	00			42	42	B	
5	00			43	52	R	
6	20		100Base-FX compliance	44	2D	-	

Table 11 EEPROM Serial ID Memory Contents – Address A0h

Byte # Decimal	Hex	ASCII	Description	Byte # Decimal	Hex	ASCII	Description
7	00			45	35	5	
8	00			46	37	7	
9	00			47	45	E	
10	00			48	36	6	
11	02		4B/5B Encoding	49	41	A	
12	01		100Mbps/s	50	50	P	
13	00			51	5A	Z	
14	00			52	2D	—	
15	00			53	48	H	
16	C8			54	54	T	
17	C8			55	20		
18	00			56	20		
19	00			57	20		
20	41	A		58	20		
21	56	V		59	20		
22	41	A		60	05		a
23	47	G		61	1E		a
24	4F	O		62	00		
25	20			63			b
26	20			64	00		
27	20			65	12		TX Disable and LOS implemented.
28	20			66	00		
29	20			67	00		
30	20			68 - 83			c
31	20			84 - 91			d
32	20			92	68		Digital diagnostics implemented. Internally calibrated. Average RX Power.
33	20			93	D0		Alarm warnings, SoftTX_Disable and Soft RX_LOS implemented.
34	20			94	06		Includes functionality described in Rev 11.3 of SFF-8472
35	20			95			b
36	00			96 - 127	00		e
37	00						

- a. LED wavelength is represented in 16 unsigned bits. The hex representation of 1310 (nm) is 0x051E.
- b. Address 63 is the checksum for bytes 0–62 and address 95 is the checksum for bytes 64–94. They are calculated (per SFF-8472) and stored prior to product shipment.
- c. Addresses 68–83 specify a unique module serial number.
- d. Addresses 84–91 specify the date code.
- e. Addresses 96–127 are vendor specific.

Table 12 EEPROM Serial ID Memory Contents - Enhanced Features (Address A2h)

Byte # Decimal	Notes	Byte # Decimal	Notes	Byte # Decimal	Notes
0	Temp H Alarm MSB ^a	26	Tx Power L Alarm MSB ^b	104	Real Time Rx Power MSB [5]
1	Temp H Alarm LSB ^a	27	Tx Power L Alarm LSB ^b	105	Real Time Rx Power LSB [5]
2	Temp L Alarm MSB ^a	28	Tx Power H Warning MSB ^b	106	Reserved
3	Temp L Alarm LSB ^a	29	Tx Power H Warning LSB ^b	107	Reserved
4	Temp H Warning MSB ^a	30	Tx Power L Warning MSB ^b	108	Reserved
5	Temp H Warning LSB ^a	31	Tx Power L Warning LSB ^b	109	Reserved
6	Temp L Warning MSB ^a	32	Rx Power H Alarm MSB ^c	110	Status/Control – See Table 13
7	Temp L Warning LSB ^a	33	Rx Power H Alarm LSB ^c	111	Reserved
8	Vcc H Alarm MSB ^d	34	Rx Power L Alarm MSB ^c	112	Flag Bits – See Table 14
9	Vcc H Alarm LSB ^d	35	Rx Power L Alarm LSB ^c	113	Flag Bits – See Table 14
10	Vcc L Alarm MSB ^d	36	Rx Power H Warning MSB ^c	114	Reserved
11	Vcc L Alarm LSB ^d	37	Rx Power H Warning LSB ^c	115	Reserved
12	Vcc H Warning MSB ^d	38	Rx Power L Warning MSB ^c	116	Flag Bits – See Table 14
13	Vcc H Warning LSB ^d	39	Rx Power L Warning LSB ^c	117	Flag Bits – See Table 14
14	Vcc L Warning MSB ^d	40–55	Reserved	118–127	Reserved
15	Vcc L Warning LSB ^d	56–94	External Calibration Constants ^e	128–247	Customer Writable
16	Tx Bias H Alarm MSB ^f	95	Checksum for Bytes 0-94 ^g	248–255	Vendor Specific
17	Tx Bias H Alarm LSB ^f	96	Real Time Temperature MSB ^a		
18	Tx Bias L Alarm MSB ^f	97	Real Time Temperature LSB ^a		
19	Tx Bias L Alarm LSB ^f	98	Real Time Vcc MSB ^d		
20	Tx Bias H Warning MSB ^f	99	Real Time Vcc LSB ^d		
21	Tx Bias H Warning LSB ^f	100	Real Time Tx Bias MSB ^f		
22	Tx Bias L Warning MSB ^f	101	Real Time Tx Bias LSB ^f		
23	Tx Bias L Warning LSB ^f	102	Real Time Tx Power MSB ^b		
24	Tx Power H Alarm MSB ^b	103	Real Time Tx Power LSB ^b		
25	Tx Power H Alarm LSB ^b				

- Temperature (Temp) is decoded as a 16 bit signed two's complement integer in increments of 1/256°C.
- Transmitted average optical power (Tx Pwr) is decoded as a 16 bit unsigned integer in increments of 0.1 μW.
- Received average optical power (Rx Pwr) is decoded as a 16 bit unsigned integer in increments of 0.1 μW.
- Supply Voltage (Vcc) is decoded as a 16 bit unsigned integer in increments of 100 μV.
- Bytes 56-94 are not intended for use with AFBR-57E6APZ-HT, but have been set to default values per SFF-8472.
- Tx bias current (Tx Bias) is decoded as a 16 bit unsigned integer in increments of 2 μA.
- Byte 95 is a checksum calculated (per SFF-8472) and stored prior to product shipment.

Table 13 EEPROM Serial ID Memory Contents – Soft Commands (Address A2h, Byte 110)

Bit #	Status/Control Name	Description	Notes
7	TX_DISABLE State	Digital state of Soft TX_DISABLE	
6	Soft TX_DISABLE	Read/write bit for changing digital state of TX_DISABLE function.	
5	Reserved		
4	Reserved		
3	Reserved		
2	Reserved		
1	RX_LOS State	Digital state of SFP RX_LOS Output Pin (1 = RX_LOS asserted)	
0	Data Ready (Bar)	Indicates transceiver is powered and real time sense data is ready (0 = ready).	

Table 14 EEPROM Serial ID Memory Contents – Alarms and Warnings (Address A2h, Bytes 112, 113, 116, 117)

Byte	Bit	Flag Bit Name	Description
112	7	Temp High Alarm	Set when transceiver internal temperature exceeds high alarm threshold.
	6	Temp Low Alarm	Set when transceiver internal temperature exceeds low alarm threshold.
	5	Vcc High Alarm	Set when transceiver internal supply voltage exceeds high alarm threshold.
	4	Vcc Low Alarm	Set when transceiver internal supply voltage exceeds low alarm threshold.
	3	Tx Bias High Alarm	Set when transceiver LED bias exceeds high alarm threshold.
	2	Tx Bias Low Alarm	Set when transceiver LED bias exceeds low alarm threshold.
	1	Tx Power High Alarm	Set when transmitted average optical power exceeds high alarm threshold.
	0	Tx Power Low Alarm	Set when transmitted average optical power exceeds low alarm threshold.
113	7	Rx Power High Alarm	Set when received average optical power exceeds high alarm threshold.
	6	Rx Power Low Alarm	Set when received average optical power exceeds low alarm threshold.
	0-5	Reserved	
116	7	Temp High Warning	Set when transceiver case temperature exceeds high warning threshold.
	6	Temp Low Warning	Set when transceiver case temperature exceeds low warning threshold.
	5	Vcc High Warning	Set when transceiver internal supply voltage exceeds high warning threshold.
	4	Vcc Low Warning	Set when transceiver internal supply voltage exceeds low warning threshold.
	3	Tx Bias High Warning	Set when transceiver LED bias exceeds high warning threshold.
	2	Tx Bias Low Warning	Set when transceiver LED bias exceeds low warning threshold.
	1	Tx Power High Warning	Set when transmitted average optical power exceeds high warning threshold.
	0	Tx Power Low Warning	Set when transmitted average optical power exceeds low warning threshold.
117	7	Rx Power High Warning	Set when received average optical power exceeds high warning threshold.
	6	Rx Power Low Warning	Set when received average optical power exceeds low warning threshold.
	0-5	Reserved	

Table 15 Settings of Alarm and Warning Thresholds

	Tx Power (dBm)	Rx Power (dBm)	Transceiver Temperature (°C)	Supply Voltage (V)	Tx Bias Current (mA)
High Alarm	-11	-11	95	3.6	120
Low Alarm	-23	-33	-40	3	10
High Warning	-12	-12	90	3.5	110
Low Warning	-22	-32	-35	3.1	15

For product information and a complete list of distributors, please go to our web site: www.broadcom.com.

Broadcom, the pulse logo, Connecting everything, Avago Technologies, Avago, and the A logo are among the trademarks of Broadcom in the United States, certain other countries and/or the EU.

Copyright © 2016 Broadcom. All Rights Reserved.

The term "Broadcom" refers to Broadcom Limited and/or its subsidiaries. For more information, please visit www.broadcom.com.

Broadcom reserves the right to make changes without further notice to any products or data herein to improve reliability, function, or design.

Information furnished by Broadcom is believed to be accurate and reliable. However, Broadcom does not assume any liability arising out of the application or use of this information, nor the application or use of any product or circuit described herein, neither does it convey any license under its patent rights nor the rights of others.

pub-005763 – November 16, 2016

