

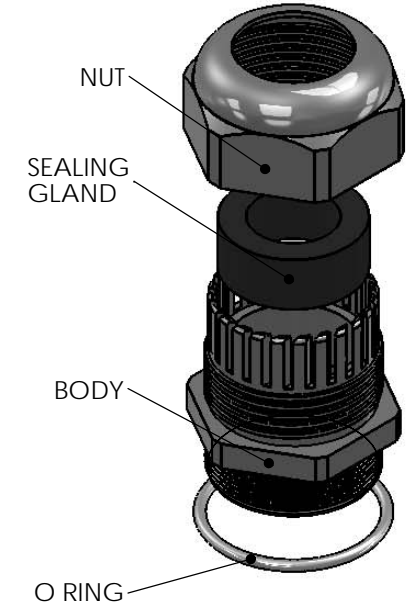
RICUS #E336396

REV.	MODIFICATION.	DATE	DRN
01	Production release	08/10/09	MT
02	CO2010958	15/07/10	MT
03	CO2011029	14/12/10	SF
04	CO2011176	27/07/11	SF

PART NUMBER COLOUR: GREY RAL 7035 SPECIAL ORDER NAFTA	PART NUMBER COLOUR: BLACK RAL 9005 SPECIAL ORDER EU	THREAD SIZE	CABLE DIAMETER		SUGGESTED CLEARANCE HOLE FOR NON THREADED MOUNTING	"L" ±0.5[.020]	"SW-1" ±0.5[.020]	"H" MAX REF	INSTALLATION TORQUE**
			MIN Ø	MAX Ø					
CG-PG7-1	CG-PG7-1-BK	PG7	2[.079]	5[.197]	12.7[.500]	8[.315]	15[.591]	30.5[1.201]	0.7
CG-PG7-2	CG-PG7-2-BK		3[.118]	6.5[.256]					
CG-PG9-1	CG-PG9-1-BK	PG9	2[.079]	6[.236]	15.4[.606]	8[.315]	19[.748]	34[1.339]	2.2
CG-PG9-2	CG-PG9-2-BK		4[.157]	8[.315]					
CG-PG11-1	CG-PG11-1-BK	PG11	3[.118]	7[.276]	18.8[.740]	8[.315]	22[.866]	37[1.457]	2.2
CG-PG11-2	CG-PG11-2-BK		5[.197]	10[.394]					
CG-PG13.5-1	CG-PG13.5-1-BK	PG13.5	6[.236]	12[.472]	20.7[.815]	9[.354]	24[.945]	39[1.535]	2.7
CG-PG16-1	CG-PG16-1-BK	PG16	10[.394]	14[.551]	22.8[.898]	10[.394]	27[1.063]	42.5[1.673]	3.0
CG-PG21-1	CG-PG21-1-BK	PG21	9[.236]	16[.630]	28.6[1.126]	11[.433]	33[1.299]	47.5[1.870]	5.0
CG-PG21-2	CG-PG21-2-BK		13[.512]	18[.709]					
CG-PG29-1	CG-PG29-1-BK	PG29	12[.472]	20[.787]	37.4[1.472]		42[1.654]	53[2.087]	7.5
CG-PG36-1	CG-PG36-1-BK	PG36	20[.787]	26[1.024]	47.5[1.870]	13[.512]	53[2.087]	61[2.402]	
CG-PG36-2	CG-PG36-2-BK		22[.866]	32[1.260]					

O RING INCLUDED WITH THREADS PG29 AND PG36

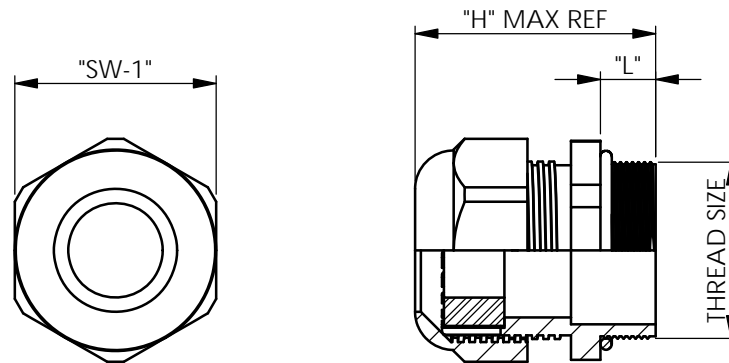
**TESTED WITH SPECIFIED TEST MANDRELS ACCORDING DIN EN 50262, CHAPTER 5.7. DEPENDING ON THE CABLE CONSTRUCTION DIFFERENCES ARE POSSIBLE.



ALTERNATE UNITS FOR REFERENCE ONLY

INFORMATION CONTAINED IN THIS DOCUMENT IS CONFIDENTIAL TO RICHCO INTERNATIONAL Co. Ltd. AND MAY NOT BE DISCLOSED OR REPRODUCED IN WHOLE OR PART WITHOUT THEIR WRITTEN CONSENT.

RICHCO, INC. WWW.RICHCO-INC.COM		ALL DIMENSIONS IN mm[inch] GENERAL TOLERANCES UNLESS OTHERWISE STATED 1 DECIMAL PLACE ± 2 DECIMAL PLACES ± ANGULAR ±1°	THIRD ANGLE
MATERIAL: BODY AND NUT - NYLON 6 UL94 V-2 (RMS-036) SEALING GLAND - CR/NBR (RMS-037) O RING - NBR (RMS-041)		COLOUR: BODY AND NUT: SEE TABLE SEAL: GREY, O RING: BLACK	
DESCRIPTION: CABLE GLANDS - PG TYPE		PART No: CG-PGXX-X	
DRG No: 09-109	NPR No: EU09-0034	SHEET SIZE A4	
DRN MT	DATE 09/04/09	CHKD TC	DATE 08/10/09
SCALE NTS	SHEET No. 1 OF 1		



NOTES:
TEMPERATURE RANGE -20°C TO +100°C
PROTECTION GRADE IP68 - 5 BAR