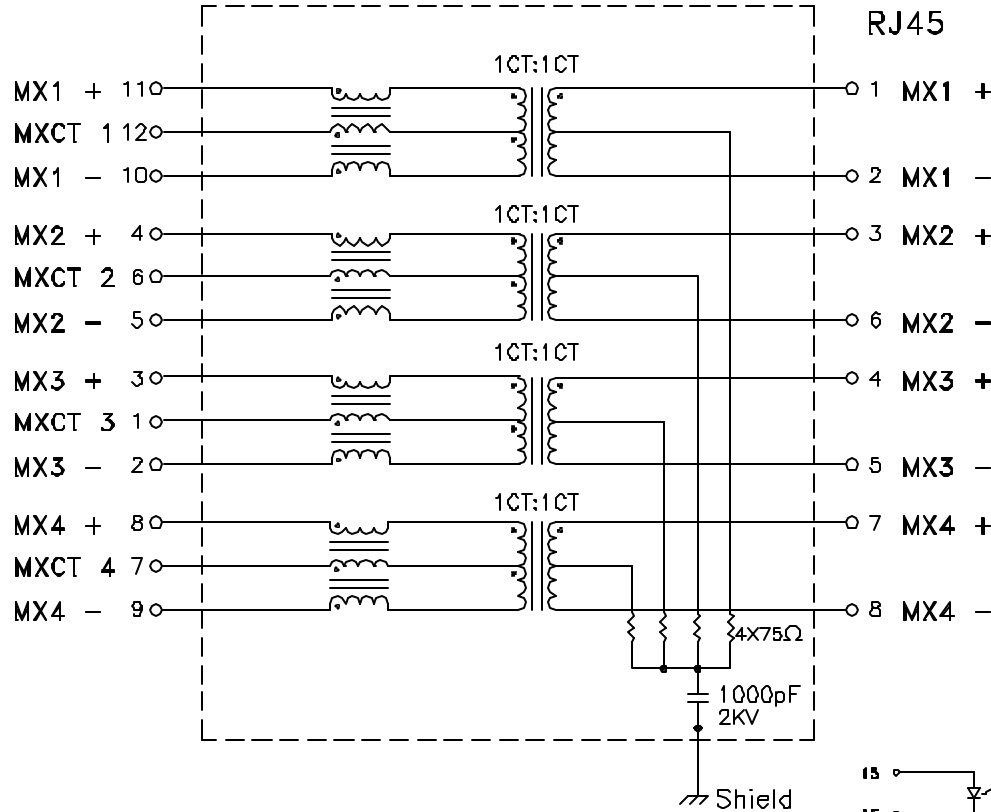
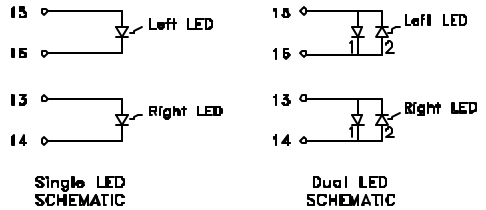


# Schematic:



## Electrical Specifications: @25°C

- Isolation Voltage: 1500 Vrms @60Hz 1MIN
- Common Mode Rejection: @1-50MHz -30dB Typ  
@50-130MHz -20dB Typ
- Crosstalk: @1-10MHz -40dB Typ  
@30-60MHz -35dB Typ  
@60-100MHz -30dB Typ
- Insertion Loss (1-100MHz): -1.0dB Typ
- Return Loss: @1-10MHz -20dB Typ  
@30MHz -16dB Typ  
@60-80MHz -12dB Typ
- Q: 18 Min @100KHz 0.1V



Complete the Combo P/N as follows:

Replace 'x' & 'u' in the part number with one of the LED color letters:  
 Y=Yellow  
 G=Green  
 A=Amber  
 R=Red  
 C=Green(1)/Amber(2) Bicolor  
 D=Amber(1)/Green(2) Bicolor  
 M=Green(1)/Yellow(2) Bicolor  
 N=Yellow(1)/Green(2) Bicolor  
 P=Red(1)/Green(2) Bicolor  
 Q=Green(1)/Red(2) Bicolor

'x' = Left LED Color  
 'u' = Right LED Color

Single Color LED:

Bi-Color LED:

### Notes:

- Solderability: Leads shall meet MIL-STD-202C, Method 20BH for solderability.
- Flammability: UL94V-0
- ASTM oxygen Index: > 28%
- Insulation System: Class F 155°C. UL file E151556
- Operating Temperature Range: All listed parameters are to be within tolerance from -40°C to +85°C
- Storage Temperature Range: -55°C to +125°C
- Aqueous wash compatible
- Electrical and mechanical specifications 100% tested
- RoHS Compliant Component

DOC. REV: A/2

## PROPRIETARY:

Document is the property of XFMRs Group & is not allowed to be duplicated without authorization.

**XFMRs Inc**  
www.XFMRs.com

Title:  
**SINGLE PORT COMBO w/LEDs**

UNLESS OTHERWISE SPECIFIED  
TOLERANCES:  
.xxx ±0.010

P/N: XFGIG8DA-CTxu1-4L

REV. A

Dimensions in Inch

DWN.

Juan Mao

Dec-10-09

SHEET 1 OF 2

CHK.

YK Liao

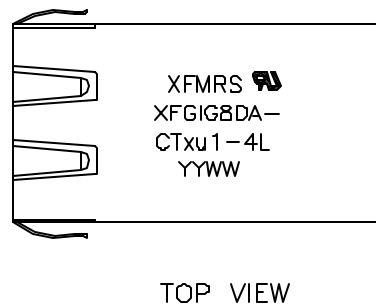
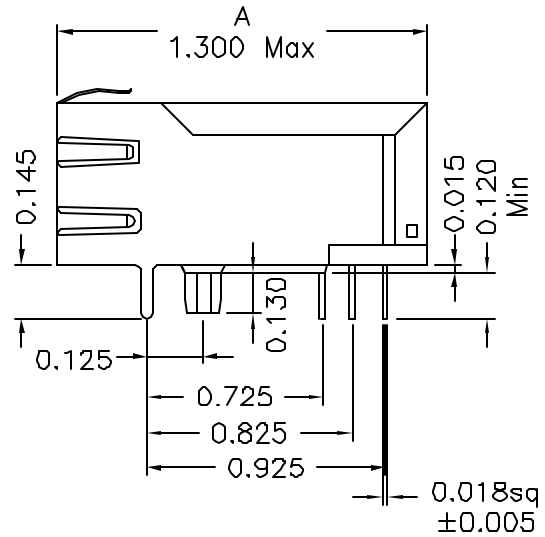
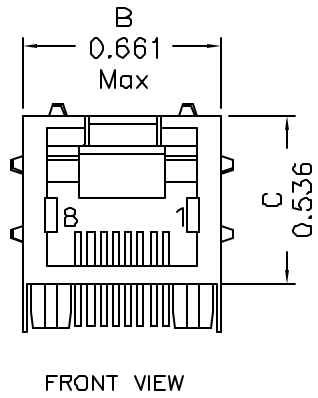
Dec-10-09

APP.

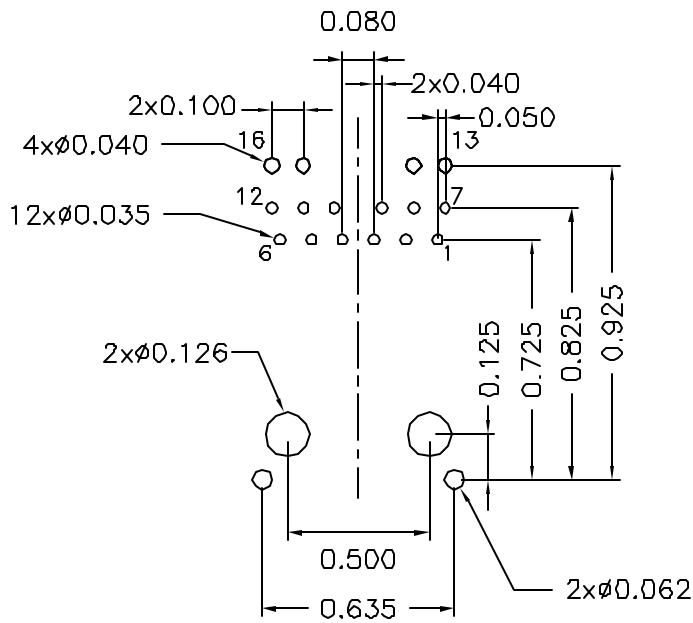
Joe Huff

Dec-10-09

# Mechanical Dimensions:



## Mounting Pattern:



DOC REV: A/2

<b>XFMR5 Inc</b> www.XFMR5.com	Title: Mechanical Dimensions For TAB UP RJ45 COMBO		
	UNLESS OTHERWISE SPECIFIED TOLERANCES: .xxx ±0.010 Dimensions in Inch	P/N: XFGIG8DA-CTxu1-4L	REV. A
	CHK. YK Liao Dec-10-09		
SHEET 2 OF 2	APP. BW		Dec-10-09

**PROPRIETARY:**

Document is the property of XFMR5 Group & is not allowed to be duplicated without authorization.