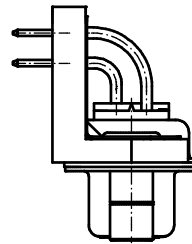
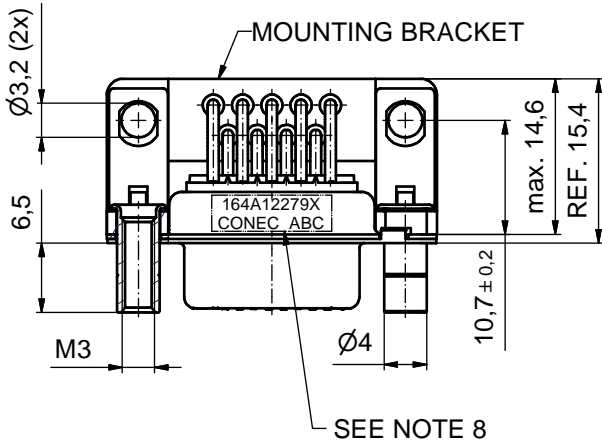
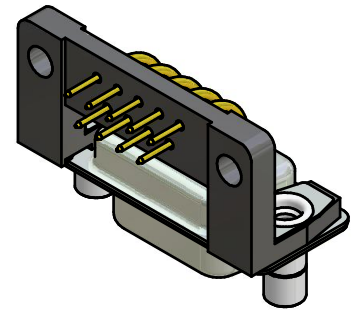
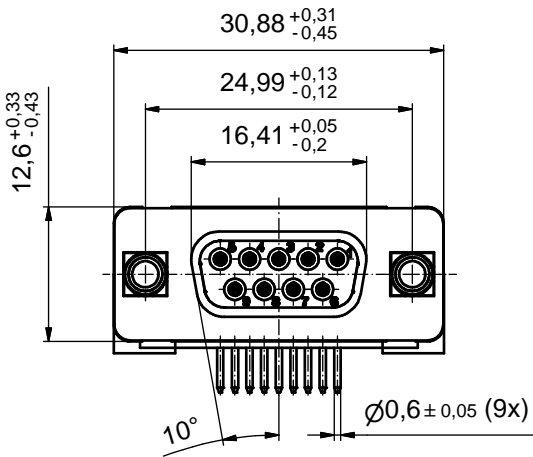
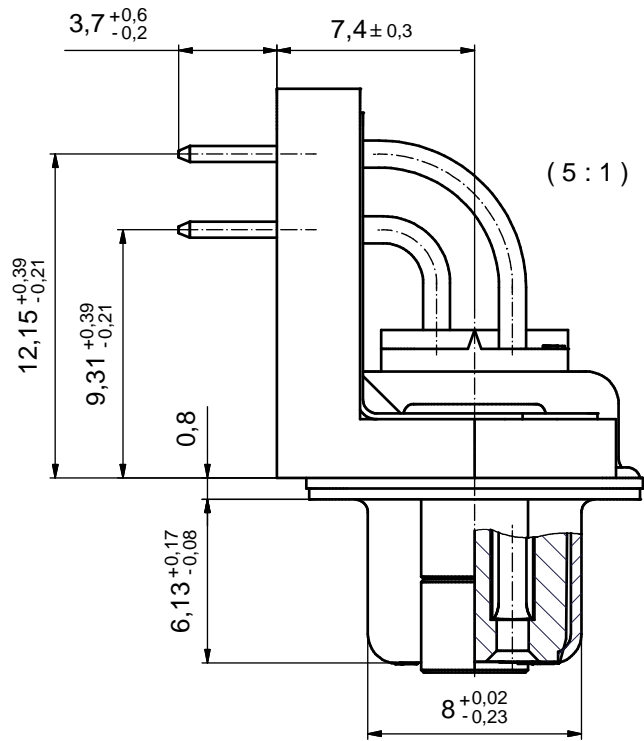


P.C.B. HOLE DRILLINGS
(P.C.B. TOP SIDE)



NOTES:

- METALSHELLS: STEEL; min. 315µm TIN over 40-80µm NICKEL
- INSULATORS: PBT GF UL 94 V-0; BLACK
- CONTACTS: COPPER ALLOY
PLATING: 8µm HARD GOLD OVER min. 50µm NICKEL
- MOUNTING BRACKET: PBT GF UL 94 V-0; BLACK
- GROUNDING BRACKETS: COPPER ALLOY; TIN PLATED
- THREADED LOCK: COPPER ALLOY; min. 200µm TIN over 80µm NICKEL
- MAXIMUM TORQUE VALUE FOR THREAD: 6 in.LB
- CONNECTOR IS PART MARKED: **164A12279X CONEC ABC**

Directive 2002/95/EC
"RoHS"
Compliant

APPROVAL # FREIGABE # DEBLOCAGE # AUTORIZACION # APPROVAL	
CUSTOMER APPROVAL DATE:	
NAME:	TITLE:
COMPANY NAME:	
APPROVAL # FREIGABE # DEBLOCAGE # AUTORIZACION # APPROVAL	

THIS DRAWING MAY NOT BE COPIED OR REPRODUCED IN ANY WAY AND MAY NOT BE PASSED ON TO A THIRD PARTY WITHOUT WRITTEN PERMISSION. OWNERSHIP AND COPYRIGHT OF CONEC GmbH			
DO NOT ALTER CAD DRAWING BY HAND			
rev.	description	date	name
a	Origin		

tolerance	dim. in mm
date	name
drawn	02.09.09 Sonnenberg
appd.	02.09.09 Koch
norm	
d-old	

scale:	2:1 (5:1)	
material:	SEE NOTES	
title:	D-SUB FEMALE 90° 9pos. SOLDER PIN ANGLED 0.370inch threaded lock, mounting-, grounding bracke	
dwg no:	Inventor	DIN-A3
	16K1A2535	sh: 1
part no:	164A12279X	

