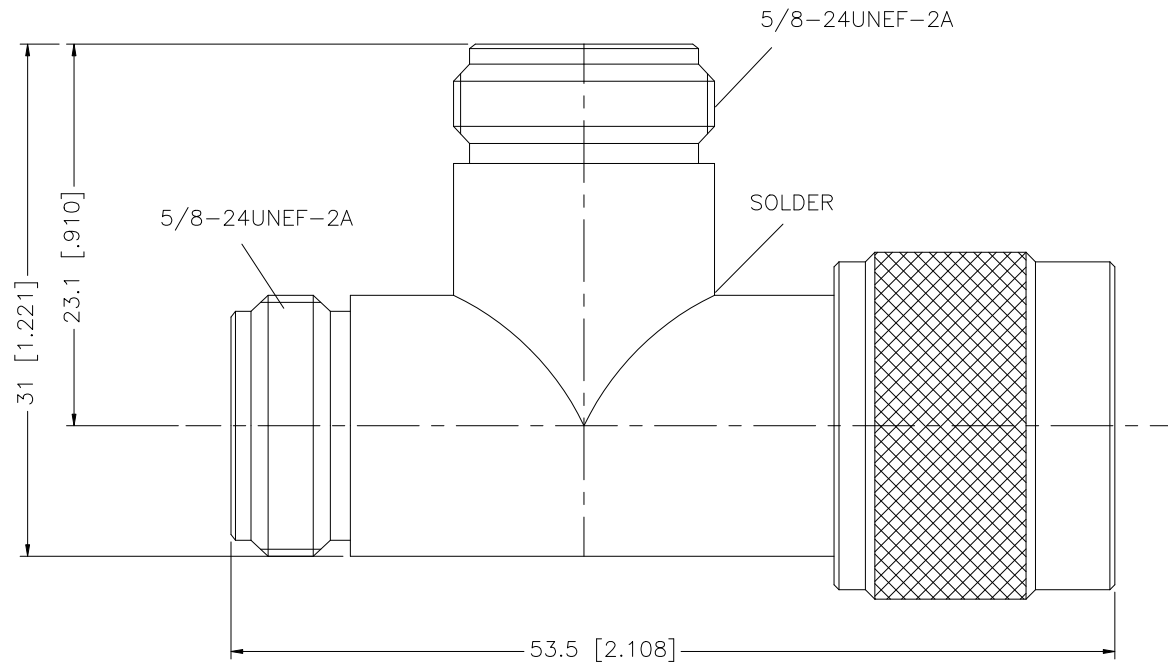


REV.	DATE	DESCRIPTION
NC	12/18/98	INITIAL RELEASE
A	10/30/07	UPDATE DRAWING FORMAT, REVISE BODY PLATING TO NEXCOTE



				UNLESS OTHERWISE SPECIFIED DIMENSIONS ARE IN MILLIMETERS. DIMENSIONS IN [] ARE IN INCHES AND FOR CUSTOMER REFERENCE ONLY.	APPROVALS	DATE	<h1 style="color: blue;">Amphenol Connex</h1>						
8					DRAWN	G.R.S.				10/30/07	PART DESCRIPTION N "T" ADAPTER JACK-JACK-PLUG PART NO. 172233		
7					CHECKED								
6					ISSUED								
5					SHEET	1 OF 1							
4					CAD FILE			DWG. NO. 172233.DWG					
3	CONTACT PIN	PHOS. BRONZE	GOLD	1	C:/172/172233.DWG						REV.	A	SIZE
2	INSULATOR	TEFLON	NATURAL	1	UNLESS OTHERWISE SPECIFIED TOLERANCES FOR MILLIMETERS ARE: 0.5 - 8mm ± 0.20mm 8 - 30mm ± 0.40mm 30 - 120mm ± 0.50mm UNLESS OTHERWISE SPECIFIED TOLERANCES FOR INCHES ARE: .020 - .315 = ± 0.007" .315 - 1.180 = ± 0.015" 1.180 - 4.724 = ± 0.020"			DO NOT SCALE DRAWING					
1	BODY	BRASS	NEXCOTE	1									
	DESCRIPTION	MATERIAL	FINISH	QTY									