

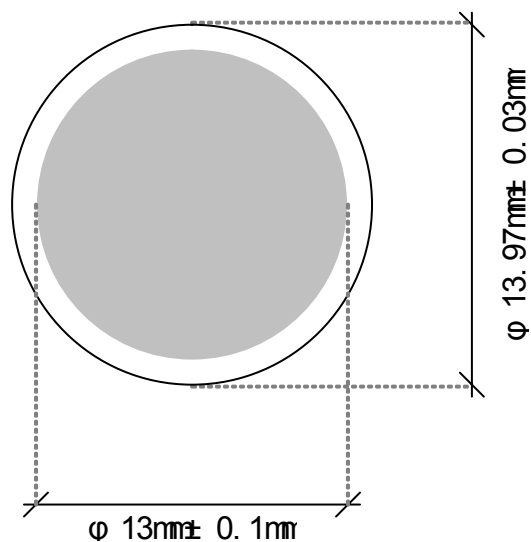
Specification	AXQCM598-Cu	Rev.: 3	Date: 2014-06-02
---------------	-------------	---------	------------------

Oscillator type : Quartz Crystal Microbalance Element

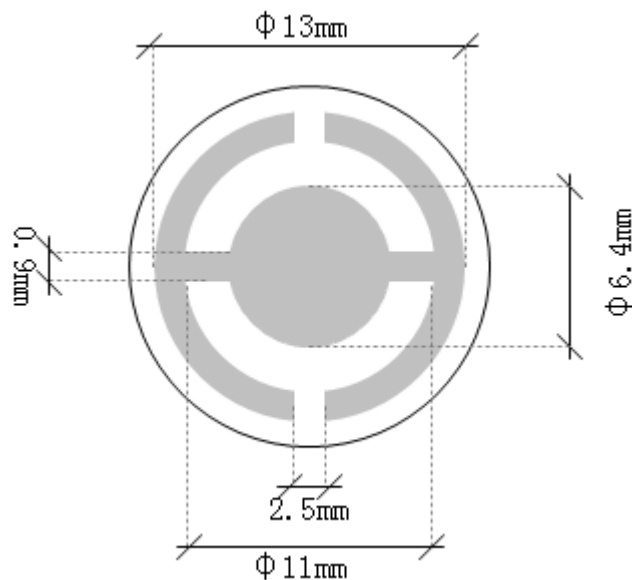
Electrodes Maxtek Style

Parameter	min.	typ.	max.	Unit	Condition
Nominal frequency		6.000		MHz	
Adjustment frequency		5.983		MHz	
Crystal cut		AT			
Overtone		1			
Adjustment tolerance	-7		+7	kHz	@ 25°C
Frequency stability					
Over operating temperature range	-50		+50	ppm	
Resonance resistance $R_r$			60	$\Omega$	
Motional capacitance $C_1$				fF	
Shunt capacitance $C_0$			7	pF	
Drive level		100		$\mu$ W	
Operating temperature range	0		+70	°C	
Storage temperature range	-40		+105	°C	
QCM diameter		13.97 ± 0.03		mm	
Blank surface quality		Fine lapped			
Electrode diameter Side A		13.0 ± 0.1		mm	Fully plated
Electrode material Side A		Cr-Cu			
Electrode diameter Side B		6.4		mm	See drawing
Electrode material Side B		Cr-Cu			

Side A (Plane)



Side B (Convex)



Ordering Code:

Model (Specification)	Frequency [MHz]
AXQCM598-Cu	5.983

**Revision History**

<b>Rev.</b>	<b>Drawing</b>	<b>Date</b> [dd.mm.yyyy]	<b>Remarks</b>	<b>Author</b>	<b>Checked</b>
2	D0	16.10.2013		EP	BN
3	D1	02.06.2014	Editorial changes	BN	BN