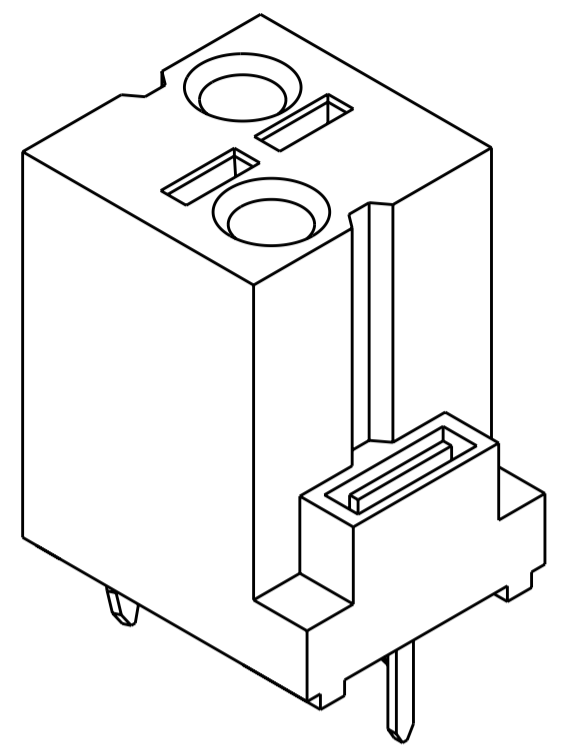
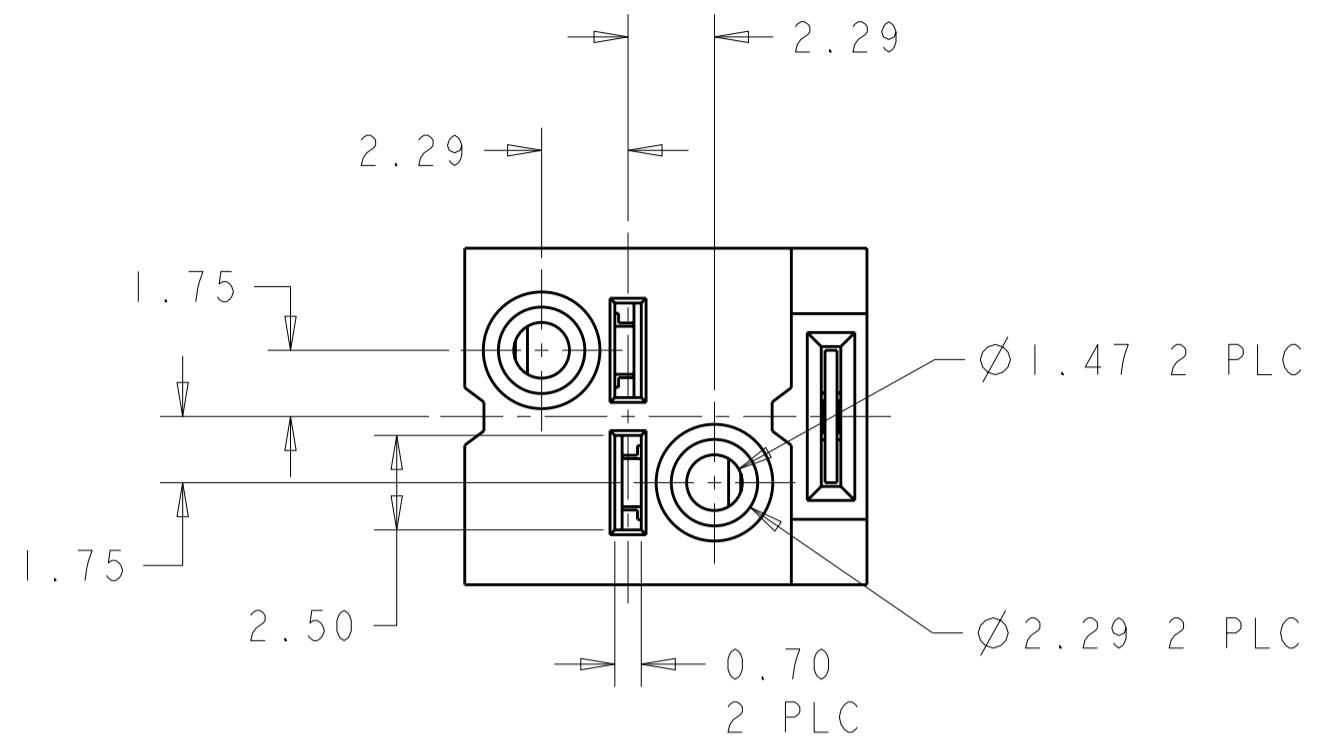
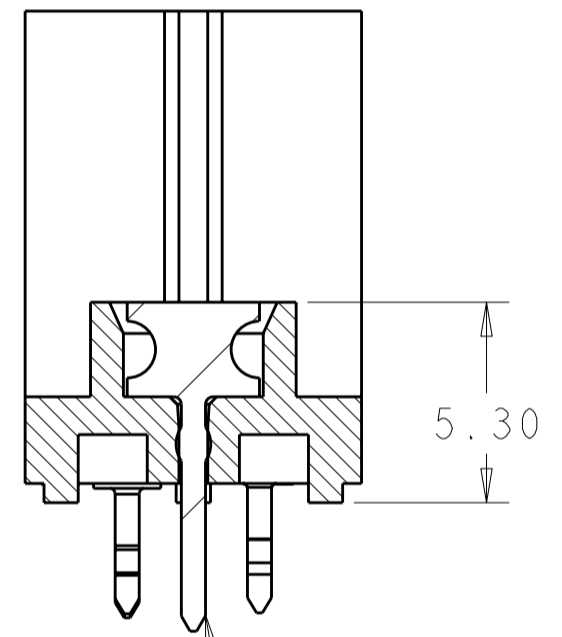
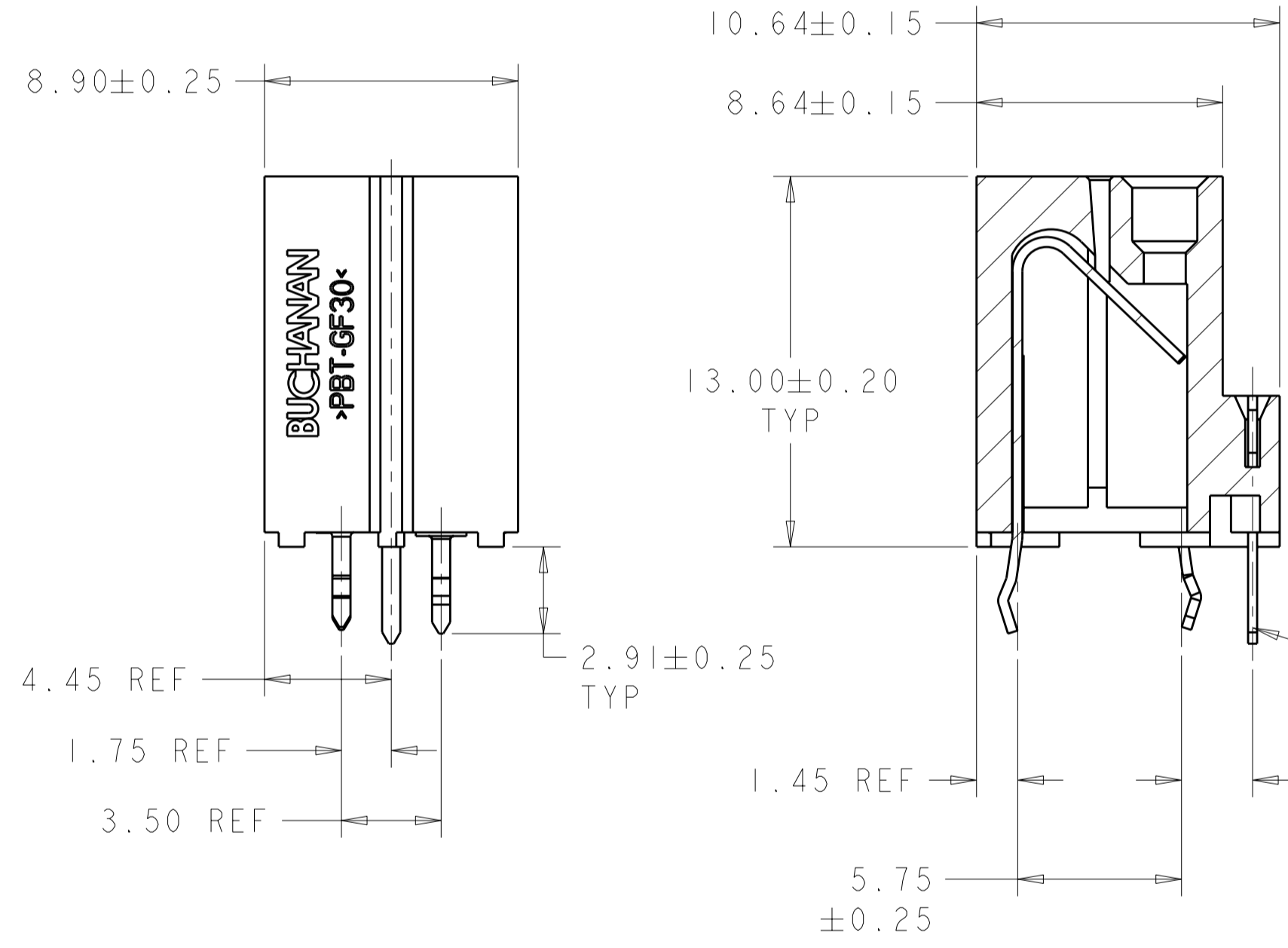


THIS DRAWING IS UNPUBLISHED. RELEASED FOR PUBLICATION 20  
 © COPYRIGHT 20 BY - ALL RIGHTS RESERVED.

LOC	DIST	REVISIONS					
FT	0	P	LTR	DESCRIPTION	DATE	DWN	APVD
		A4		REVISED PER ECR-10-013378	01JUL2010	HMR	DD
		A5		REVISED PER ECR-12-008903	16MAY2012	RS	DD

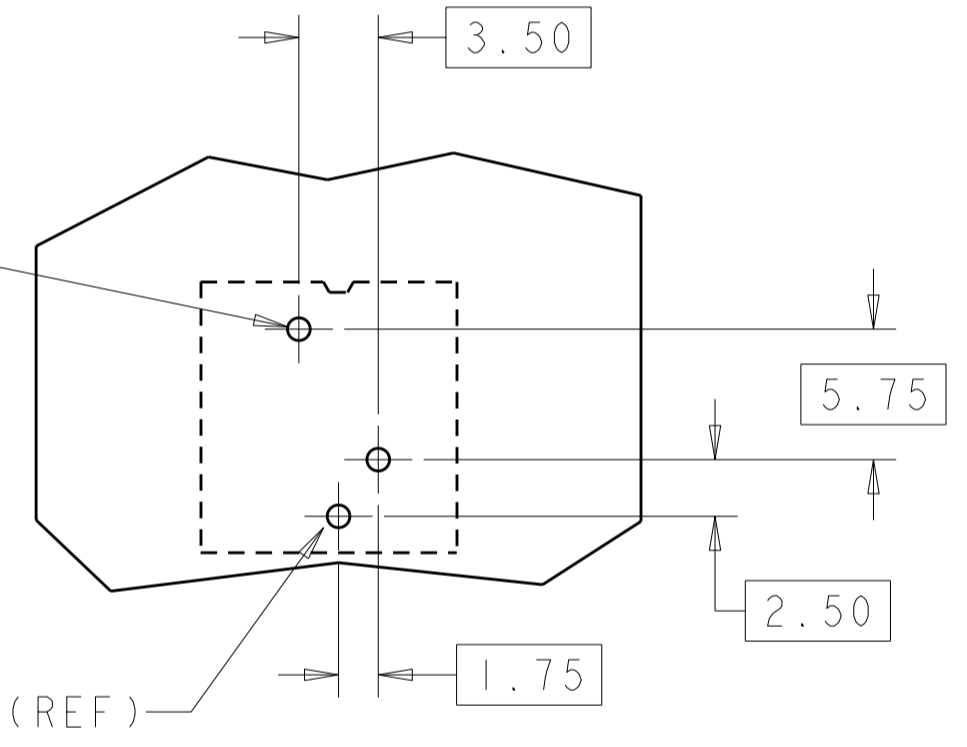


SCALE 5:1



BOARDLOCK (REF)

$\varnothing 1.00 \pm 0.08$   
 $\varnothing 0.15 (M)$   
 THRU HOLE TYP



BOARDLOCK (REF)

SCALE 3:1

PCB LAYOUT VIEWED FROM CONNECTOR MOUNTING SIDE

- 1 MATERIAL:  
 HOUSING: PTB, UL94-V0, COLOR BLACK.  
 CONTACTS: PHOSPHOR BRONZE.  
 BOARDLOCK: PHOSPHOR BRONZE.
- 2 PLATING:  
 CONTACTS & BOARDLOCKS: PRE TIN, 2.5µm MIN OVER 0.76µm MIN NICKEL  
 (CONTACT AND BOARDLOCK EDGES WILL BE UNPLATED)
- 3. WIRE SIZE: 16 TO 18AWG SOLID AND 18AWG BONDED PER ASTM B470, TYPE I.  
 2.19mm MAX INSULATION DIAMETER.  
 STRIP LENGTH = 9.53±1.00.

TAPE AND REEL	1811957-3
TUBE	1811957-2
TRAY	1811957-1
PACKAGING	PART NO

THIS DRAWING IS A CONTROLLED DOCUMENT.		DWN	21APR2005	TE Connectivity
DIMENSIONS: mm		CHK	21APR2005	
TOLERANCES UNLESS OTHERWISE SPECIFIED:		APVD	13SEP2005	
0 PLC ±- 1 PLC ±0.5 2 PLC ±0.13 3 PLC ±- 4 PLC ±- ANGLES ±- FINISH ±-		PRODUCT SPEC	108-2059	
MATERIAL		APPLICATION SPEC	114-13075	NAME
1 - 2 -		WEIGHT	-	ASSEMBLY, WIRE CONNECTOR, 2 POSITION WITH BOARDLOCK, SCREWLESS, VERTICAL
CUSTOMER DRAWING		SIZE	A2	RESTRICTED TO
SCALE 5:1		CAGE CODE	1811957	-
SHEET 1 OF 1		DRAWING NO	1811957	REV A5

# Mouser Electronics

Authorized Distributor

Click to View Pricing, Inventory, Delivery & Lifecycle Information:

[TE Connectivity:](#)

[1811957-1](#)