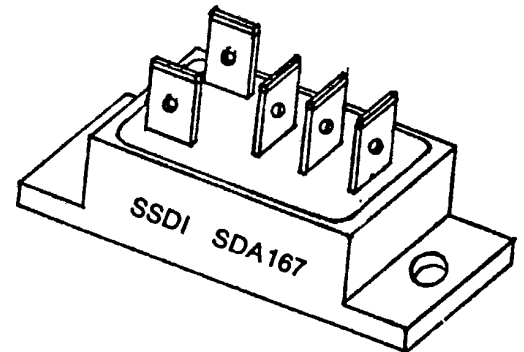


25 amp**bridge rectifier assembly****SSDI**

T-23-07

- Average output 25 Amps
- PIV 50 to 1000 Volts
- Maximum thermal resistance 1.5°C/Watt
- Universal Three-Way terminals
- All machined aluminum case
- Glass passivated diode cells
- Case electrically insulated



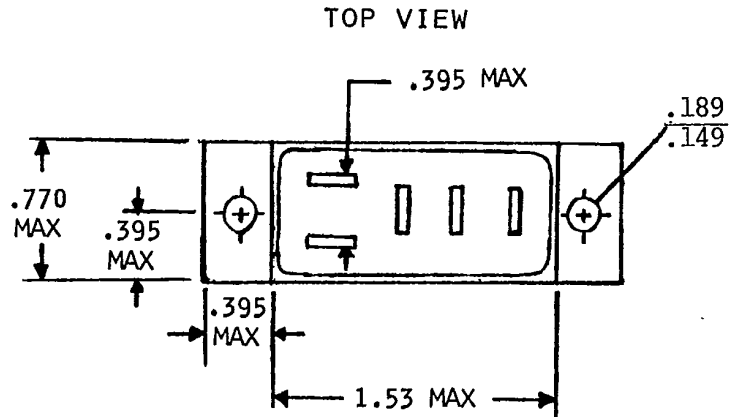
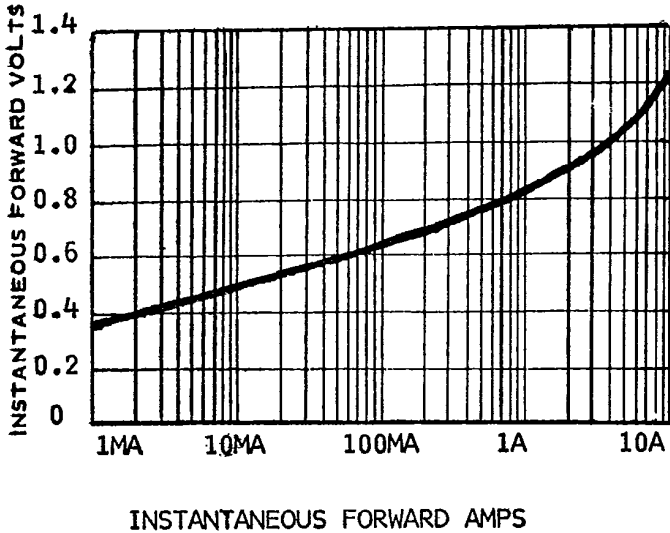
SSDI introduces a new and complete line of Three-Phase, Bridge Rectifier Assemblies, designed in machined aluminum cases to provide maximum thermal conductivity and simple installation. A unique 3-way terminal provides the designer a choice of using faston terminal, wire wrap or soldering hole. This series features SSDI's exclusive glass passivated rectifier cells for high reliability and mechanical strength. Fast recovery bridges are available on special order. Consult your factory representative for engineering assistance.

Type	PIV per leg	Sine Wave RMS input Voltage Max.	Average DC Output Amps TC = (case temp.)			Average DC Output Amps TA = Ambient Temp. (No heat Sink)			Peak 1 Cycle Forward Surge	Peak Recurrent Forward	VF Max. per leg ± 3ADC	Reverse Current (I _r Max. per leg. @ PIV)	
			55 °C	100 °C	125 °C	25 °C	55 °C	100 °C				25 °C	100 °C
	VOLTS	VOLTS	AMPS	AMPS	AMPS	AMPS	AMPS	AMPS	AMPS	AMPS	VOLTS	UA	UA
SDA167A	50	35	25	18.5	12.5	6	5	3	200	75	1	5	100
SDA167B	100	70	25	18.5	12.5	6	5	3	200	75	1	5	100
SDA167C	200	140	25	18.5	12.5	6	5	3	200	75	1	5	100
SDA167D	400	280	25	18.5	12.5	6	5	3	200	75	1	5	100
SDA167E	600	420	25	18.5	12.5	6	5	3	200	75	1	5	100
SDA167F	800	560	25	18.5	12.5	6	5	3	200	75	1	5	100
SDA167G	1000	700	25	18.5	12.5	6	5	3	200	75	1	5	100

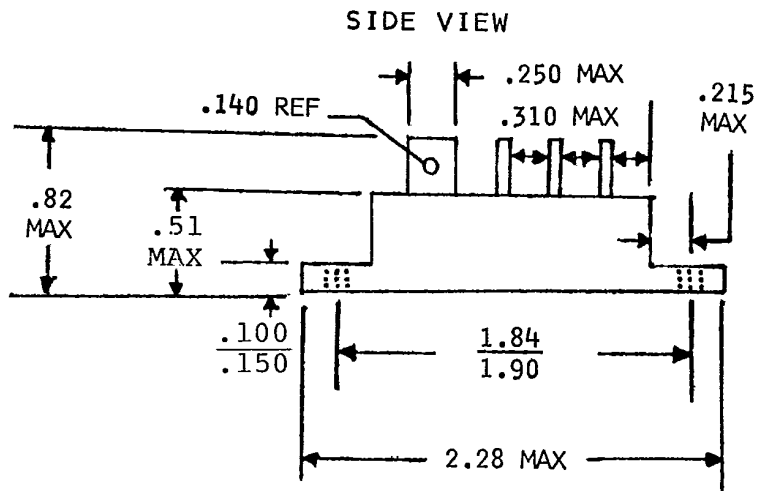
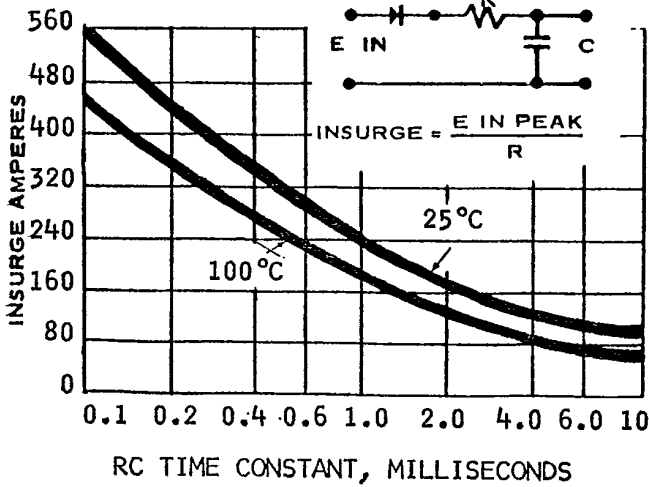
SSDI SOLID STATE DEVICES, INC.



TYPICAL DYNAMIC FORWARD CHARACTERISTICS AT VARIOUS JUNCTION TEMPERATURES PER LEG



MAXIMUM RATINGS FOR CAPACITY LOADS



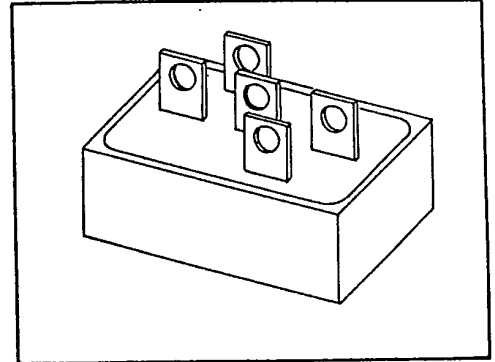
SDA263F-3 FAST RECOVERY

75 AMP THREE PHASE

BRIDGE RECTIFIER ASSEMBLY

T-23-09

- AVERAGE OUTPUT 75 AMPS
- PIV 50 - 1,000 VOLTS
- FAST RECOVERY, LESS THAN 200 NSEC.*
- ALUMINUM CASE
- CASE ELECTRICALLY INSULATED
- HERMETICALLY SEALED DIODE CELLS
- -55°C TO 150°C OPERATING & STORAGE TEMPERATURE
- MAXIMUM THERMAL RESISTANCE 1°C/WATT
- THREADED HOLES FOR EASE OF INSTALLATION



SSDI introduces a new and complete line of high current three phase fast recovery bridge rectifier assemblies. Designed in aluminum cases to provide maximum thermal conductivity and simple installation. Hi Rel versions and faster versions are also available. Consult your factory representative for engineering assistance.

Type	PIV per leg	Sine Wave RMS input Voltage Max.	Average DC Output Amps TC = (case temp.)		Reverse Recovery Time T _{rr} Max	Peak 1 Cycle Forward Surge	Peak Recurrent Forward	VF Max per leg @ ADC @10 AXC	Reverse Current (I _R Max. per leg. @ PIV)	
			50°C	100°C					25°C	100°C
	VOLTS	VOLTS	AMPS	AMPS	ns	AMPS	AMPS	VOLTS	UA	UA
SDA263AF-3	50	35	75	54	200	375	125	1.2	5	100
SDA263BF-3	100	70	75	54	200	375	125	1.2	5	100
SDA263CF-3	200	140	75	54	200	375	125	1.2	5	100
SDA263DF-3	400	280	75	54	200	375	125	1.2	5	100
SDA263EF-3	600	420	75	54	200	375	125	1.2	5	100
SDA263FF-3	800	560	75	54	200	375	125	1.2	5	100
SDA263GF-3	1000	700	75	54	200	375	125	1.2	5	100

02/86

*Recovery Time Conditions; I_F = .5A, I_R = 1A, I_{rr} = 25A

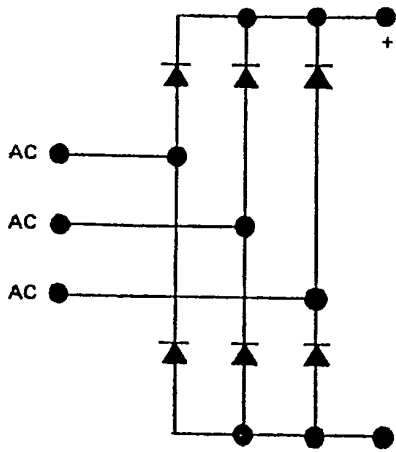
Note: Specifications to Change Without Notice

SSDI

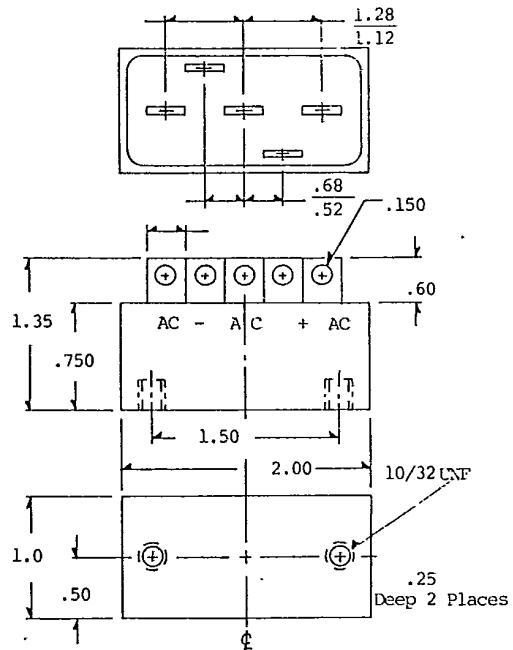
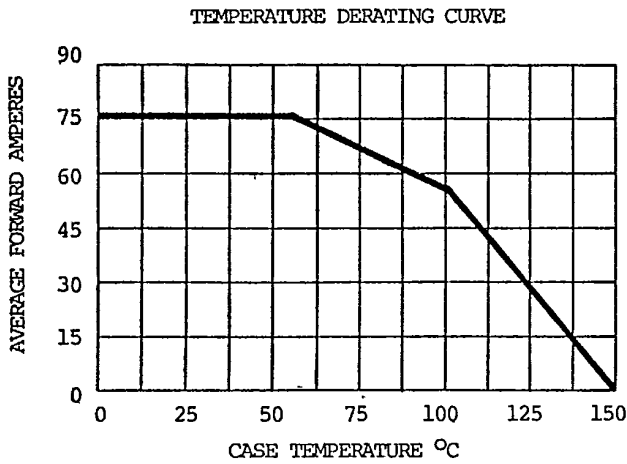
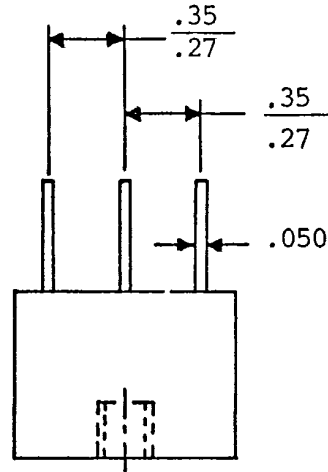
SOLID STATE DEVICES, INC.



APPLICATION NOTES



SCHEMATIC DIAGRAM



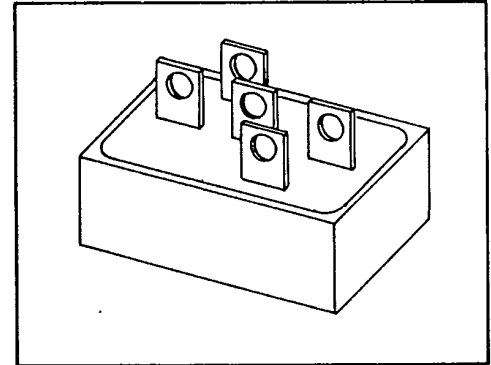
SOLID STATE DEVICES, INC.

SDA263-3

THREE PHASE 100 AMP BRIDGE RECTIFIER ASSEMBLY

T-23-09

- AVERAGE OUTPUT 100 AMPS
- PIV 50 - 1000 VOLTS
- ALUMINUM CASE
- CASE ELECTRICALLY INSULATED
- HERMETICALLY SEALED DIODE CELLS
- -55 TO +150°C OPERATING & STORAGE TEMPERATURE
- MAXIMUM THERMAL RESISTANCE 1°C/WATT
- THREADED HOLES FOR EASE OF INSTALLATION



SSDI introduces a new and complete line of high current three phase bridge rectifier assemblies. Designed in aluminum cases to provide maximum thermal conductivity and simple installation. Fast Recovery and Hi Rel versions are also available. Consult your factory representative for engineering assistance.

Type	PIV per leg	Sine Wave RMS input Voltage Max.	Average DC Output Amps TC = (case temp.,		Peak 1 Cycle Forward Surge	Peak Recurrent Forward	VF Max per leg (@10 ADC	Reverse Current (I _R Max. per leg. @ PIV)	
			50°C	100°C				25°C	100°C
	VOLTS	VOLTS	AMPS	AMPS	AMPS	AMPS	VOLTS	UA	UA
SDA263A-3	50	35	100	72	375	125	1.2	5	100
SDA263B-3	100	70	100	72	375	125	1.2	5	100
SDA263C-3	200	140	100	72	375	125	1.2	5	100
SDA263D-3	400	280	100	72	375	125	1.2	5	100
SDA263E-3	600	420	100	72	375	125	1.2	5	100
SDA263F-3	800	560	100	72	375	125	1.2	5	100
SDA263G-3	1000	700	100	72	375	125	1.2	5	100

NOTE: Specifications Subject to Change Without Notice.

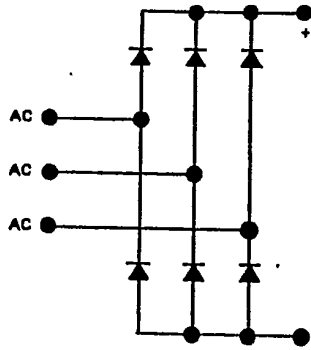
7/86

SSDI

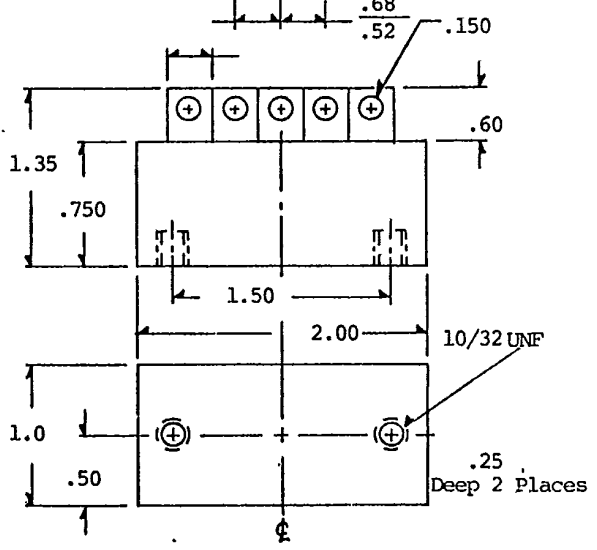
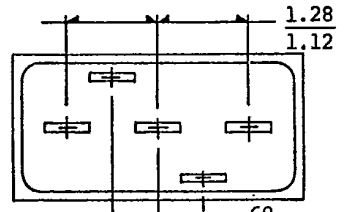
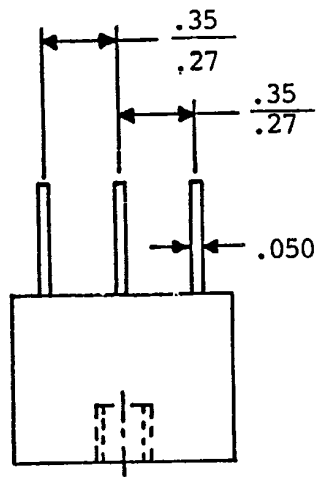
SOLID STATE DEVICES, INC.



APPLICATION NOTES



SCHEMATIC DIAGRAM



TEMPERATURE DERATING CURVE

