

## Features

- High intensity
- Wide viewing angle
- General purpose leads
- Reliable and rugged

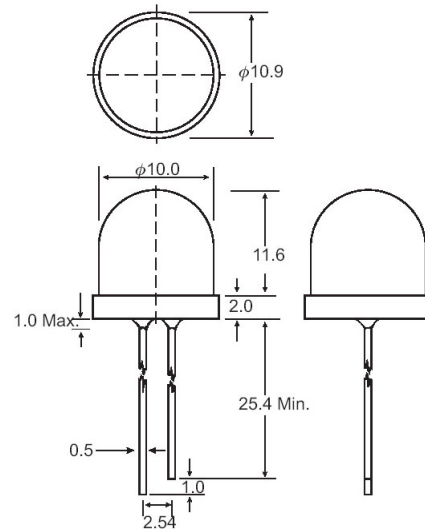
## Absolute Maximum Ratings at Ta=25°C

Parameter	Max.	Unit
Power Dissipation	100	mW
Peak Forward Current (1/10 Duty Cycle, 0.1ms Pulse Width)	100	mA
Continuous Forward Current	40	mA
Derating Linear From 50°C	0.4	mA / °C
Reverse Voltage	5	V
Operating Temperature Range	-40°C to +80°C	
Storage Temperature Range	-40°C to +80°C	
Lead Soldering Temperature [4mm(.157") From Body]	260°C for 5 Seconds	

### Notes:

1. All dimensions are in millimeters (inches).
2. Protruded resin under flange is 1.0mm (.04") max.
3. Lead spacing is measured where the leads emerge from the package.
4. Specifications are subject to change without notice.

## Package Dimensions



Unit: mm (inches)

Tolerance:  $\pm 0.25$ mm (.010") max

(Ta=25°C)

Part No.	Emitting Color	Lens Color	Peak Wavelength $\lambda_p$ (nm)	Vf (V) $I_f = 20$ mA (Note E1)		Iv (mcd) (Note E2)		Viewing Angle $2\theta_{1/2}$ (Deg) (Note E3)
				Min	Typ	Min	Typ	
EL-10R641	Red	Red Diffused	660	1.6	1.8	30	250	60
EL-10G641	Green	Green Diffused	568	1.7	2.2	25	100	60
EL-10Y641	Yellow	Yellow Diffused	590	1.7	2.0	100	400	60
EL-10R242	Red	Water Clear	660	1.6	1.8	100	450	20
EL-10G242	Green	Water Clear	568	1.7	2.2	120	400	20
EL-10Y242	Yellow	Water Clear	590	1.7	2.0	180	550	20
EL-10R243	Red	Red Transparent	660	1.6	1.8	100	450	20
EL-10G243	Green	Green Transparent	568	1.7	2.2	80	320	20
EL-10Y243	Yellow	Yellow Transparent	590	1.7	2.0	180	550	20

### Parameter

Luminous Intensity

Viewing Angle

Peak Emission Wavelength

Dominant Wavelength

Spectral Line Half-Width

Forward Voltage

Reverse Current

### Test Condition

$I_f = 20$ mA (Note E1. Luminous intensity is measured with a light sensor and filter combination that approximates the CIE eye-response curve.)

(Note E2.  $\theta_{1/2}$  is the off-axis angle at which the luminous intensity is half the axial luminous intensity.)

$I_f = 20$ mA

$I_f = 20$ mA (Note E3: The dominant wavelength ( $\lambda_d$ ) is derived from the CIE chromaticity diagram and represents the single wavelength which defines the color of the device.)

$I_f = 20$ mA

$I_f = 20$ mA

$I_f = 20$ mA