

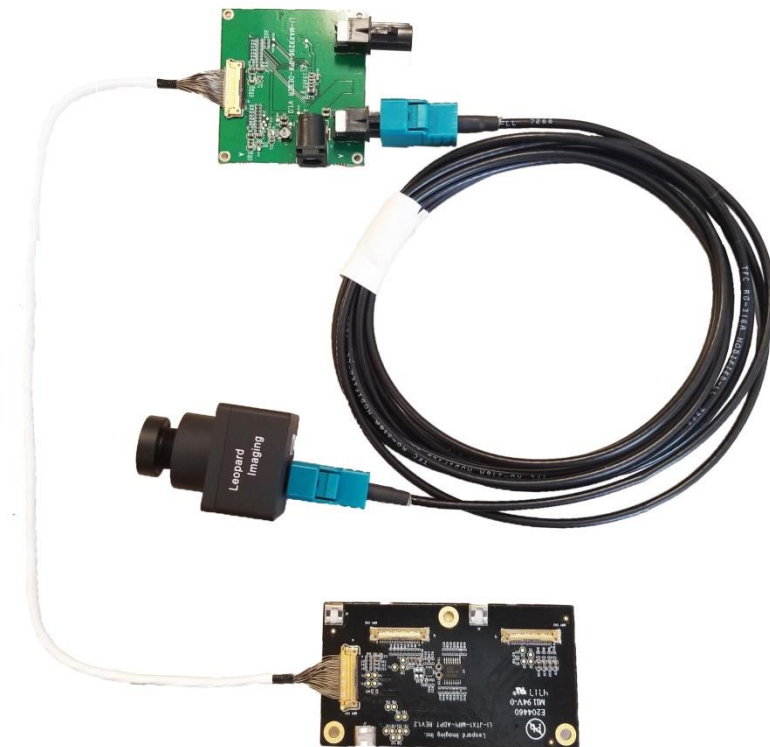


LEOPARD IMAGING INC

# LI-JEVA-IMX390-FPDLINKIII-xxxH Data Sheet

## Key Features

- Compatible with Nvidia Jetson TX1/TX2 Developer Kit
- Support one FPDLINKIII camera
- Sony Diagonal 6.67mm (Type 1/2.7) CMOS RRGB Image Sensor IMX390
- Active pixels: 1937H x 1217V
- Pixel size: 3.0 um x 3.0 um
- Color camera
- Lens: FOV H 60 / 120 / 200
- TI953 FPD-Link III serializer
- Includes De-serializer to convert serial interface to MIPI interface
- Length of Fakra cable: 3 meters
- Support multiple length Fakra cables
- Length of the I-PEX cable: 300mm
- Support M12 lens
- Provide customization services
- Part#: **LI-JEVA-IMX390-FPDLINKIII-xxxH**



## Application

- Automotive ADAS
- 1080p30 video applications

## BOM

Nvidia TX1/TX2 Developer Kit not included

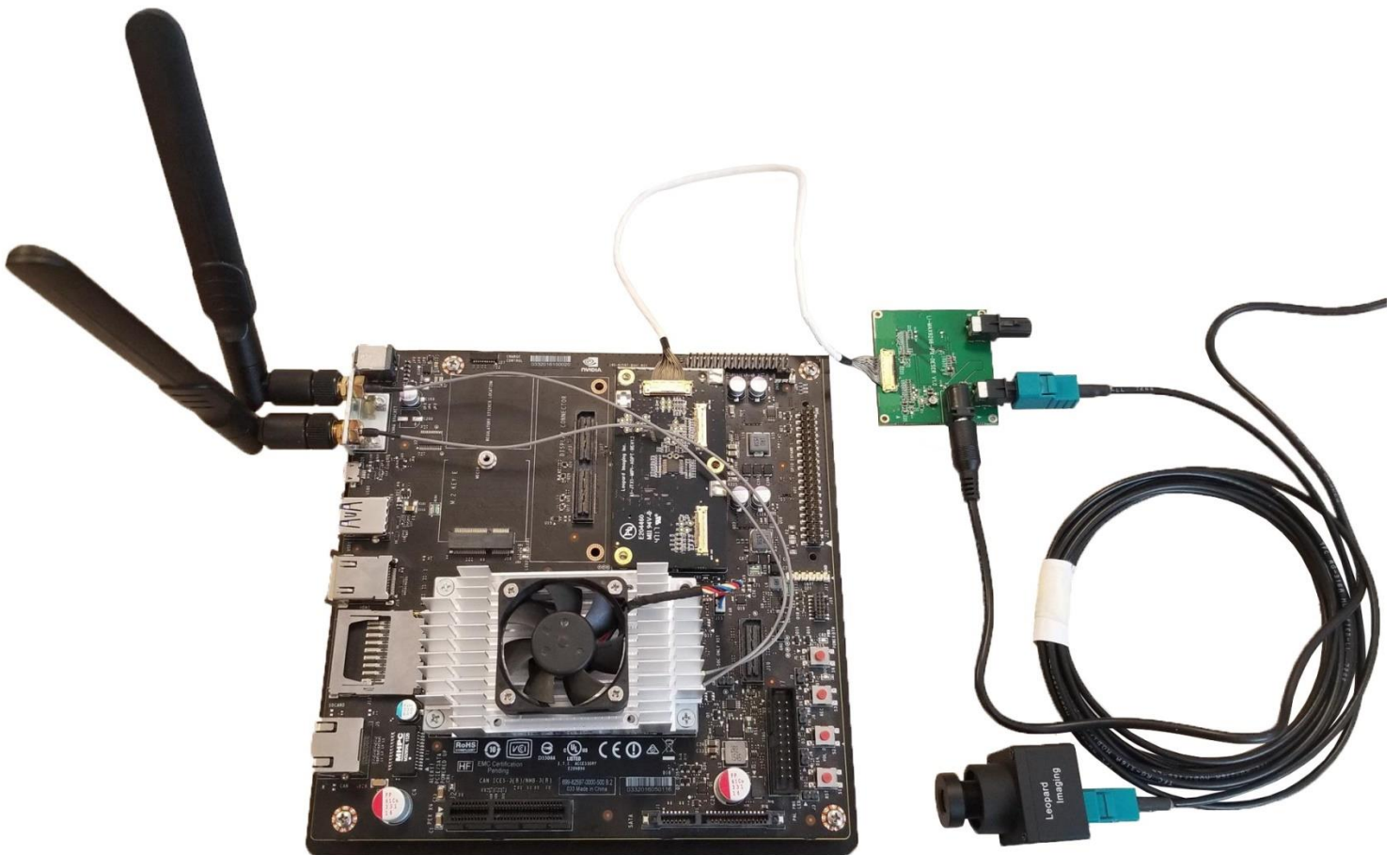
#	Items	QTY
1	LI-IMX390-FPDLINKIII-xxxH	1
2	FAK-SMZSMZ 3M	1
3	LI-TI954-IPX-DESER	1
4	FAW-1233-03 cable	1
5	LI-JTX1-MIPI-ADPT	1
6	LI-PS12-01	1



Leopard Imaging Inc.

1130 Cadillac Ct., Milpitas, CA 95035, USA  
 Phone: +1-408-263-0988  
 Fax: +1-408-217-1960  
 Email: sales@leopardimaging.com  
 Website: www.leopardimaging.com

## Compatible with Nvidia Jetson TX1/TX2 Developer Kit

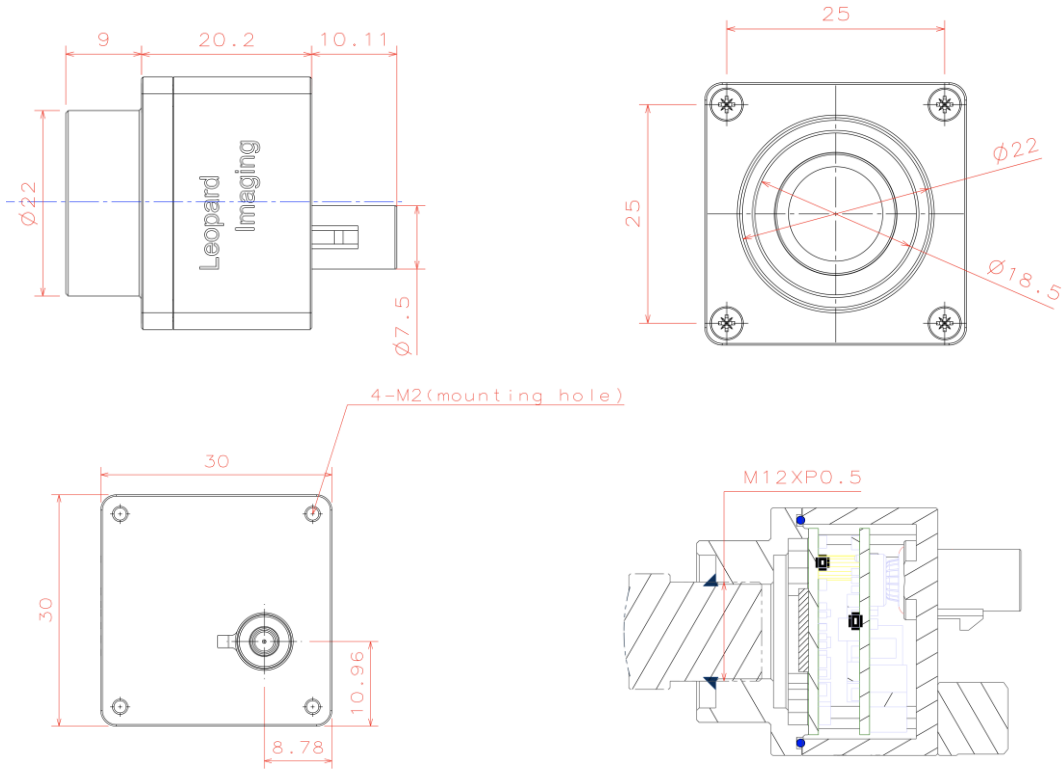


Leopard Imaging Inc.

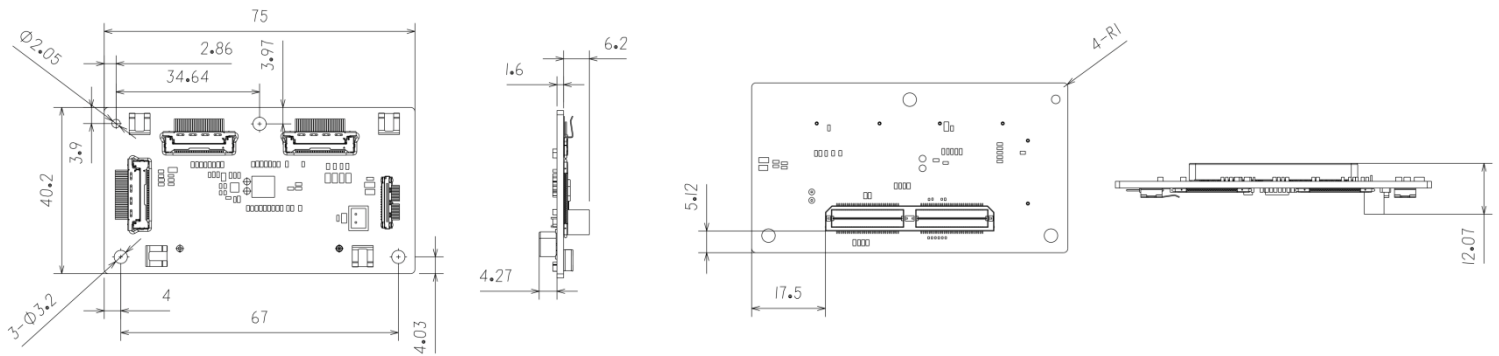
1130 Cadillac Ct., Milpitas, CA 95035, USA  
Phone: +1-408-263-0988  
Fax: +1-408-217-1960  
Email: sales@leopardimaging.com  
Website: www.leopardimaging.com

# Dimensions

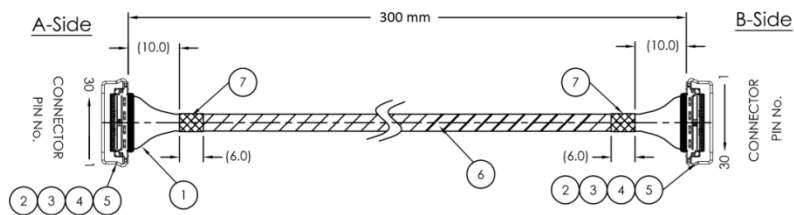
## LI-IMX390-FPDLINKIII-xxxH (without lens)



## LI-JTX1-MIPI-ADPT



## FAW-1233-03



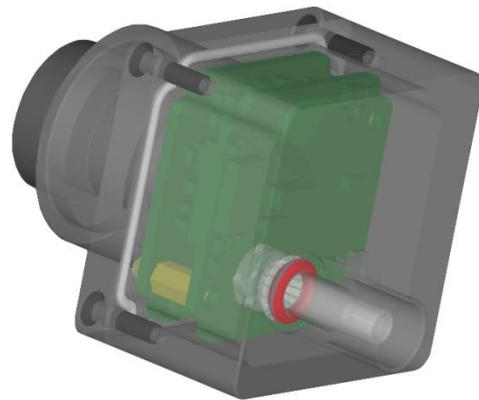
Leopard Imaging Inc.

1130 Cadillac Ct., Milpitas, CA 95035, USA  
 Phone: +1-408-263-0988  
 Fax: +1-408-217-1960  
 Email: sales@leopardimaging.com  
 Website: www.leopardimaging.com

<b>Camera Spec</b>	
Image Sensor	Sony Diagonal 6.67mm (Type 1/2.7) CMOS RGGB Image Sensor IMX390
Optical format	1/2.7"
Number of active pixels	1937 (H) x 1217 (V)
Pixel size	3.0um (H) x 3.0um (V)
Color or Mono	Color
Interface	TI953 FPD-Link III Serial interface
Lens mount	M12
Weight	45 g
Operation Temp	-40 ~ 105 °C
Storage Temp	-40 ~ 125 °C

**Water proof : IP67 (Up to IP69K) Lens must be glued**

- Metal Housing
- Water-proof M12 lens
- Sealed Gasket (White)
- Sealed O-ring (Red)



**Cable Connector**

- Housing Connector- FAKRA Z Type
- Cable length: 3 meters Support single Coax Cable transmit up to 15 meters
- Cable Part#: FAK-SMZSMZ-0008 FAKRA type connectors



## Lens Information

**Part#: LI-JEVA-IMX390-FPDLINKIII-xxxH**

Note:

xxxH - 060H: FOV H 60°  
 120H: FOV H 120°  
 200H: FOV H 200°

LI-IMX390-FPDLINKIII-060H	LI-IMX390-FPDLINKIII-120H	LI-IMX390-FPDLINKIII-200H
		
<p>Lens: M127B0618W                      Lens EFL: 6.0 mm                      FOV(D): 74.5°                      FOV(H): 60.6°                      FOV(V): 36.1°</p>	<p>Lens: M128B02820WM12R1                      Lens EFL: 2.8 mm                      FOV(D): 148°                      FOV(H): 122°                      FOV(V): 74°</p>	<p>Lens: F132B0108WM12                      Lens EFL: 1.08 mm                      FOV(D): 200°                      FOV(H): 200°                      FOV(V): 200°</p>
		



Leopard Imaging Inc.

1130 Cadillac Ct., Milpitas, CA 95035, USA  
 Phone: +1-408-263-0988  
 Fax: +1-408-217-1960  
 Email: sales@leopardimaging.com  
 Website: www.leopardimaging.com



# Interface J10

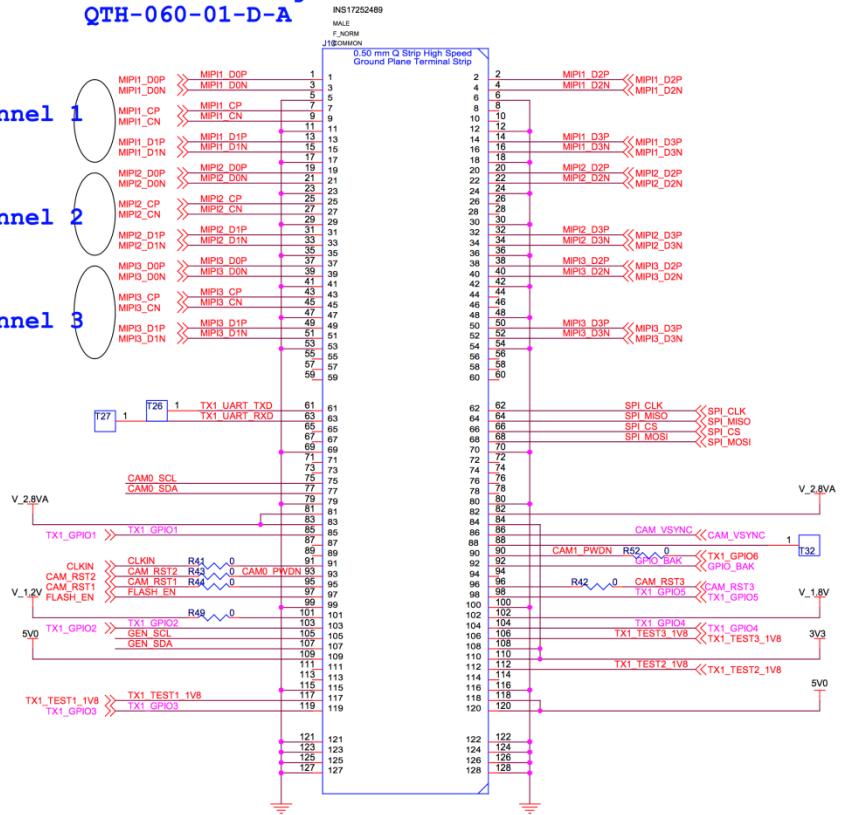
- Part#: QTH-060-01-L-D-A
- Number of Positions: 120
- Number of Rows: 2
- Pitch: 0.5 mm

## Vertical Mating connector of Jetson TX1 J22 QTH-060-01-D-A

MIPI Channel 1

MIPI Channel 2

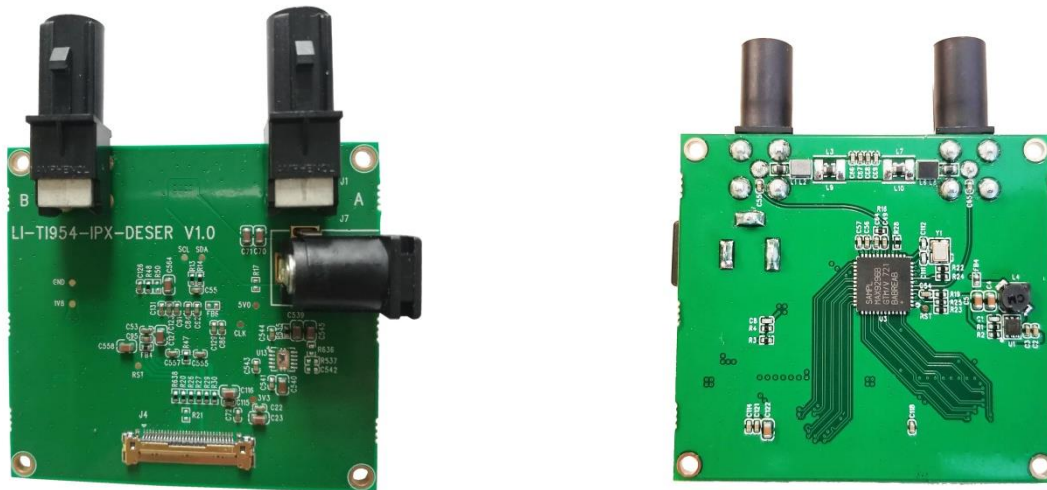
MIPI Channel 3



Leopard Imaging Inc.

1130 Cadillac Ct., Milpitas, CA 95035, USA  
 Phone: +1-408-263-0988  
 Fax: +1-408-217-1960  
 Email: sales@leopardimaging.com  
 Website: www.leopardimaging.com

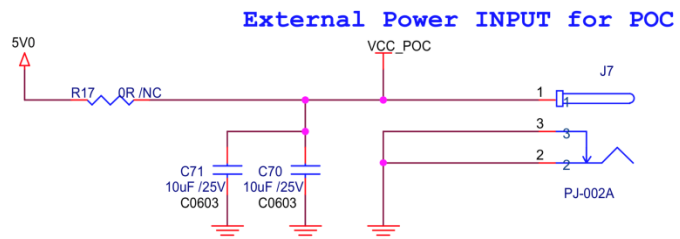
# LI-TI954-IPX-DESER



## Interfaces

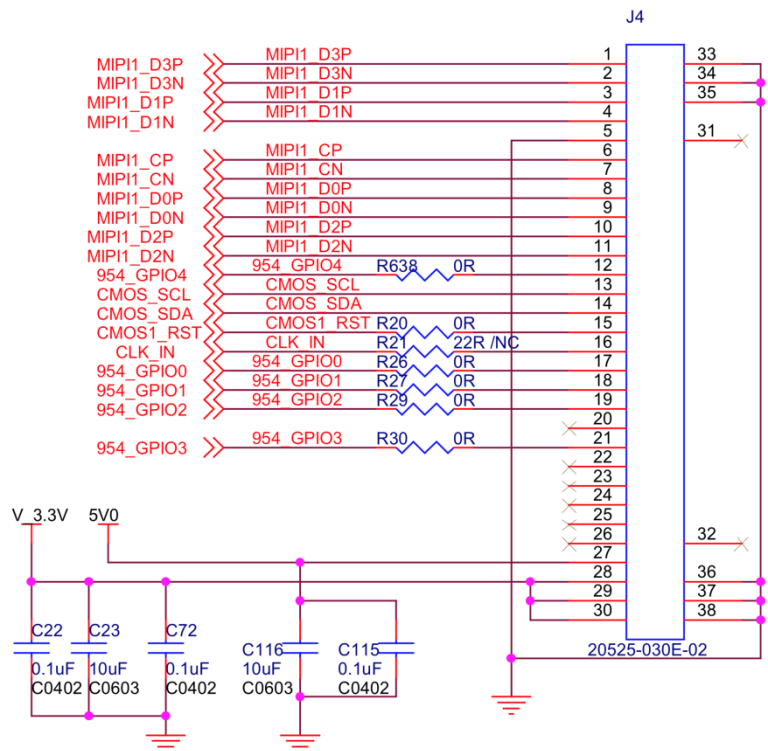
### Interface J7

- Part#: PJ-002A
- Power Supply: 12V DC



### Interface J4

- Part#: 20525-030E-02C
- Number of Positions: 30
- Pitch: 0.4mm
- Mating I-PEX cable: FAW-1233-03 (300mm)

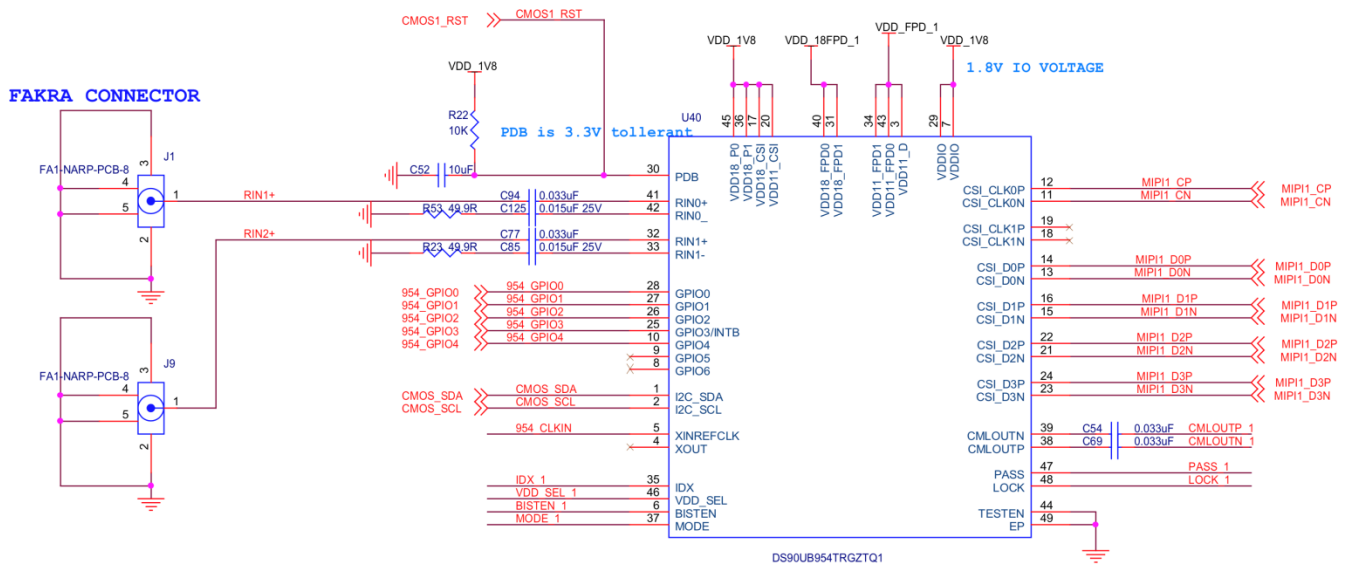


Leopard Imaging Inc.

1130 Cadillac Ct., Milpitas, CA 95035, USA  
 Phone: +1-408-263-0988  
 Fax: +1-408-217-1960  
 Email: sales@leopardimaging.com  
 Website: www.leopardimaging.com



# De-Serializer



Leopard Imaging Inc.

1130 Cadillac Ct., Milpitas, CA 95035, USA  
 Phone: +1-408-263-0988  
 Fax: +1-408-217-1960  
 Email: sales@leopardimaging.com  
 Website: www.leopardimaging.com

## Revision History

Revision	Description	Release Date
1.0	First Release	6. Jul. 2018



Leopard Imaging Inc.

1130 Cadillac Ct., Milpitas, CA 95035, USA  
Phone: +1-408-263-0988  
Fax: +1-408-217-1960  
Email: sales@leopardimaging.com  
Website: www.leopardimaging.com