

### Applications

- WCDMA Handsets / Data Cards
- Bands 1, 2, 5, 8, 25, 26
- BC0 / BC1 CDMA / EVDO Handsets / Data Cards
- HSDPA / HSUPA / HSPA+

### Product Features

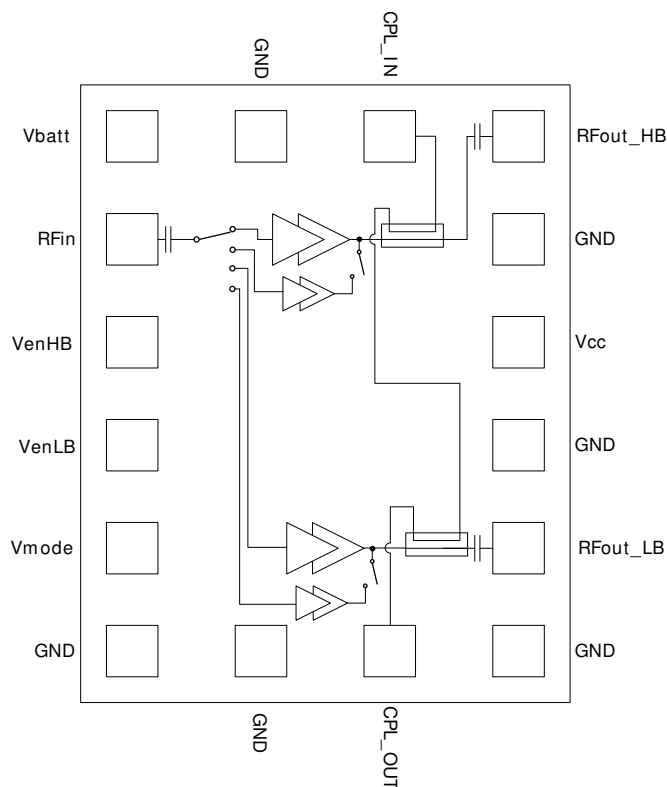
- Integrated high efficiency dual-broadband two gain state power amplifier,  $V_{REG}$  circuitry, input band select switch and directional coupler
- Small Size = 4.0 mm x 3.0 mm
- Low Quiescent Current in LPM
- High Max Power PAE
- No External Voltage Regulation Required
- APT (Average Power Tracking) Capable

### General Description

The TQM7M6018 PA module integrates two high efficiency BiHEMT power amplifiers, an input band select switch, a directional coupler and Vreg circuitry into a compact 4.0 mm x 3.0 mm package. TriQuint's CuFlip® assembly technology and BiHEMT GaAs process provides a compact, low cost solution optimized for the Qualcomm WTR2605 transceiver with state-of-the-art HPM PAE.

The TQM7M6018 is a power amplifier module for bands 1, 2, 5, 8, 25 and 26 for use with WCDMA and CDMA modulations. The combination of high performance, low cost and small size makes the TQM7M6018 ideally suited for both mobile handset and data card applications.

### Functional Block Diagram



### Electrical Specifications

Parameter	B1	B2	B5	B8	Units
Max P <sub>OUT</sub>	+28.3	+28.3	+27.0	+28.0	dBm
HPM P <sub>max</sub> PAE *	45				%
Rx Noise (typ)	-138	-136	-135	-135	dBm/Hz
HPM Gain	27				dB

Typical performance for WCDMA Rel99,  
 $V_{CC}=+3.4$  VDC,  $V_{EN}=HIGH$ ,  $T_C=25$  °C.

\* PAE measured at required  $V_{CC}$  for Rel99  
 $ACLR1 \leq 40$  dBc.

### Ordering Information

Part No.	Description
TQM7M6018	Dual-Broadband PAM
Standard T/R size = 2500 pieces on a 13" reel	